

COLUMN MOUNTED SUCTION DRAINER WITH PUMP

P/N OE45111

Column drainer (P/N OE39320) operated by pneumatic pump, equipped with:

- ▶ pump with vacuum gauge P/N OE33070/A
- ▶ wall bracket P/N OE33115
- ▶ hose reel for suction with 10 m 1/2" hose P/N 430/41/AS
- ▶ P/N OE45560 set of probes (refer to pag. 22)
- ▶ P/N OE45540 probe ø 12 (refer to pag. 22)
- ▶ P/N OE45570 wall mounted probe kit

📦 No.3 packing m³ 0,250 📊 kg 75

OVERALL DIMENSIONS P:290 H:2450 L:590 mm

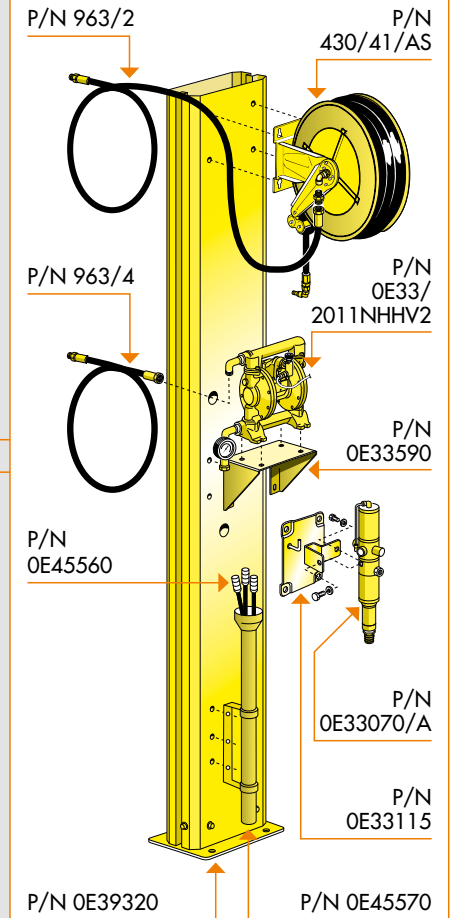
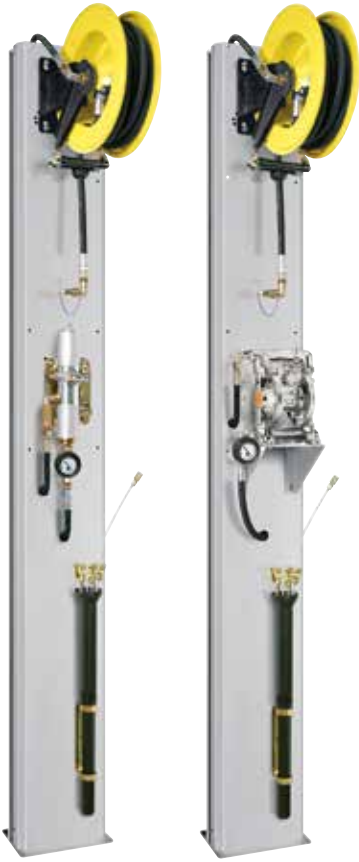
P/N OE45311

Column drainer (P/N OE39320) operated by diaphragm pump Series 1/2", equipped with:

- ▶ pump with vacuum gauge P/N OE33/2011NHHV2
- ▶ wall bracket P/N OE33590
- ▶ hose reel for draining with 10 m 1/2" hose P/N 430/41/AS
- ▶ P/N OE45560 set of probes (refer to pag. 22)
- ▶ P/N OE45540 probe ø 12 (refer to pag. 22)
- ▶ P/N OE45570 wall mounted probe kit

📦 No.4 packing m³ 0,260 📊 kg 77

OVERALL DIMENSIONS P:290 H:2450 L:590 mm



TROLLEY SUCTION DRAINER WITH PUMP

P/N OE45150

Drainer-dispenser, with air pump and wheel-mounted for 30 - 60 Kg drums, equipped with:

- ▶ P/N OE33070/A pump with vacuum gauge
- ▶ P/N OE80050 trolley for drums 30 - 60 kg
- ▶ 2 m suction/delivery hoses
- ▶ P/N OE45560 set of probes (refer to pag. 15)
- ▶ P/N OE45540 probe ø 12 (refer to pag. 22)

📦 No.2 packing m³ 0,80 📊 kg 6819,5

OVERALL DIMENSIONS P:640 H:1000 L:500 mm

P/N OE45180

Drainer-dispenser, with air pump and wheel-mounted for 180 - 220 Kg drums, equipped with:

- ▶ P/N OE33070/A pump with vacuum gauge
- ▶ P/N OE80200 trolley for drums 30 - 60 kg
- ▶ 2 m suction/delivery hoses
- ▶ P/N OE45560 set of probes (refer to pag. 22)
- ▶ P/N OE45540 probe ø 12 (refer to pag. 22)

📦 No.2 packing m³ 0,113 📊 kg 32,1

OVERALL DIMENSIONS P:640 H:870 L:760 mm



P/N		OE45150	OE45180
Suction pump	P/N	OE33070/A	OE33070/A
Max air pressure at pump	bar	6	6
Noise level	dB	81	81
Suction hose	ø x m	1/2" x 2	1/2" x 2
Draining hose	ø x m	1/2" x 2	1/2" x 2
Suction speed at 70°-80°C	l/min	1,5 - 2	1,5 - 2

⚠ The above items must not be used with flammable or corrosive fluids