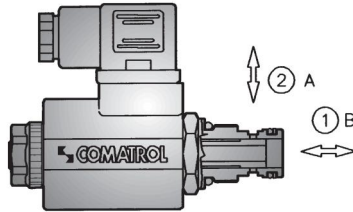
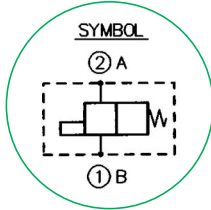


SOLENOID OPERATED DIRECTIONAL VALVES SPOOL TYPE

TWO WAY - TWO POSITION
NCS

Type EDH 06

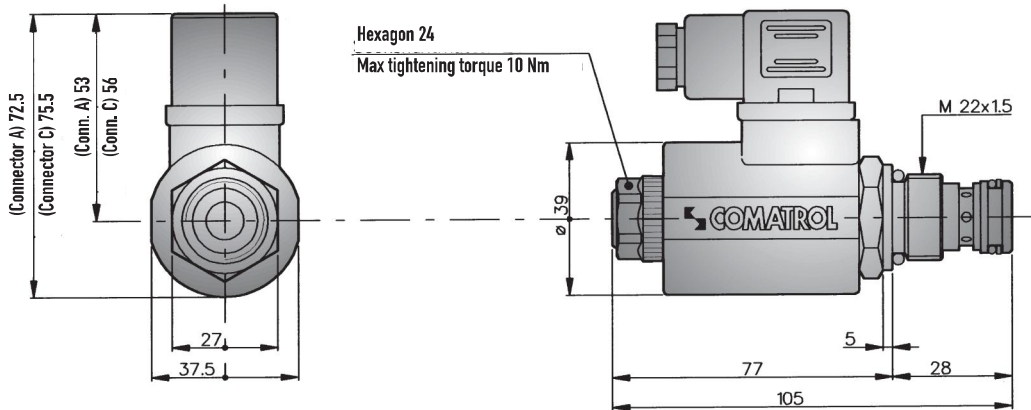


SIZE	06	
NOMINAL PORT SIZE	6	
MAX FLOW RATE	l/min	35
	US gpm	9.2
MAX PRESSURE	bar	315
	psi	4500
CAVITY NUMBER	00.95	065
NORMALIZED CAVITY	NCS	06/2
MAX TIGHTENING TORQUE	Nm	50
WEIGHT INCLUDING COIL	kg	0.430
REF		
CAVITY DIMENSIONS	11.450	

VERSIONS

TYPE	HYDRAULIC SYMBOLS	FUNCTIONS OBTAINED WITH SOLENOID		MAX FLOW l/min	MAX PRESSURE bar
		De-energized	Energized		
NA		① ↔ ②	① ②	35	315
NC		① ②	① ↔ ②	35	315

DIMENSIONS (mm)



CHARACTERISTIC OPERATING CURVES

Measurements effected at 20°C ambient temperature with mineral oil having viscosity of 26 cSt at 50°C.
 Power input to coil: 90% of nominal value; temperature: 50°C. Cartridges only.

PRESSURE DROP

TYPE	① → ②	② → ①
NA	1	1
NC	1	1

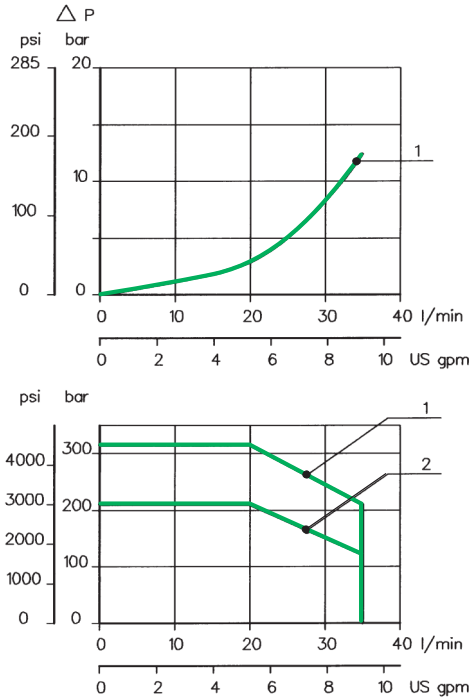
LIMITS OF APPLICATIONS

TYPE	① → ②	② → ①
NA	2	1
NC	2	1

MAX PERMISSIBLE PRESSURE THROUGH PORT ①: 210 bar

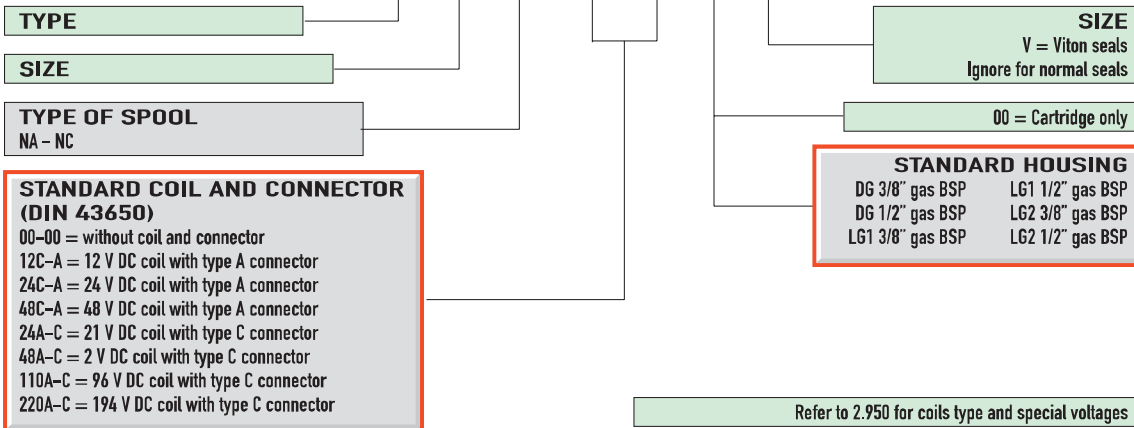
RESPONSE TIME (m. sec)

TYPE	Energized	De-energized
NA	25 - 50	40 - 80
NC		



EXAMPLE OF ORDER DESIGNATION EDH 06

EDH 06 / NC - 24C - A - 00 - V



SPARE PARTS

Set of standard type external seals with back-up washers (Packe of minimum 10 sets)
 EDH 06/2 = 230.00.006.0