



FUEL MANAGEMENT SYSTEMS



DISPENSERS



KITS



PUMPS



METERS



NOZZLES

K24 ATEX



FEATURES

- BURSTING PRESSURE 100 BAR
- LCD DISPLAY
- FLOW RATE INDICATION
- EASY TO CALIBRATE
- UL VERSION AVAILABLE

The PIUSI K24 ATEX, specifically designed to be compliant with ATEX/IECEX requirements, is manufactured using high-quality materials compatible with gasoline, kerosene and diesel to be used in potentially explosive areas. This turbine flow meter is equipped with a 6-digit totalizer and partial reset.

PERFORMANCE

7-120

L/MIN

FLOW RATE

20 BAR

MAX

OPERATING PRESSURE

± 1%

ACCURACY

0,3%

REPEATABILITY



K24 ATEX / IECEX



OUR PRODUCT COMPLIES WITH THE FOLLOWING MARKING ATEX/IECEX

II	2	G	Ex	ia	IIB	T4	Gb
GROUP	CATEGORY	TYPE OF EXPLOSIVE ATMOSPHERE	PERMANENT PREFIX	PROTECTION METHOD	GAS GLASS	TEMPERATURE CLASS	EQUIPMENT PROTECTION LEVEL

PACKAGING

CODE	WEIGHT		PACKAGING		
	KG	LBS	MM	INCH	PCS/BOX
K24 A ATEX/IECEX METER					
FOO408X00	0,65	1,4	115X160X135	4,5X6,3X5,3	1
K24 A ATEX/IECEX PULSER					
FOO408Y00	0,65	1,4	115X160X135	4,5X6,3X5,3	1



FILTRATION



TANK MONITORING



HOSE REEL



ACCESSORIES



MERCHANDISE

PIUSI

INDEX



ANY BIODIESEL



AIR



ANTIFREEZE



AdBlue®



BIODIESEL



DIESEL



FOOD



GASOLINE



GREASE



KEROSENE



OIL



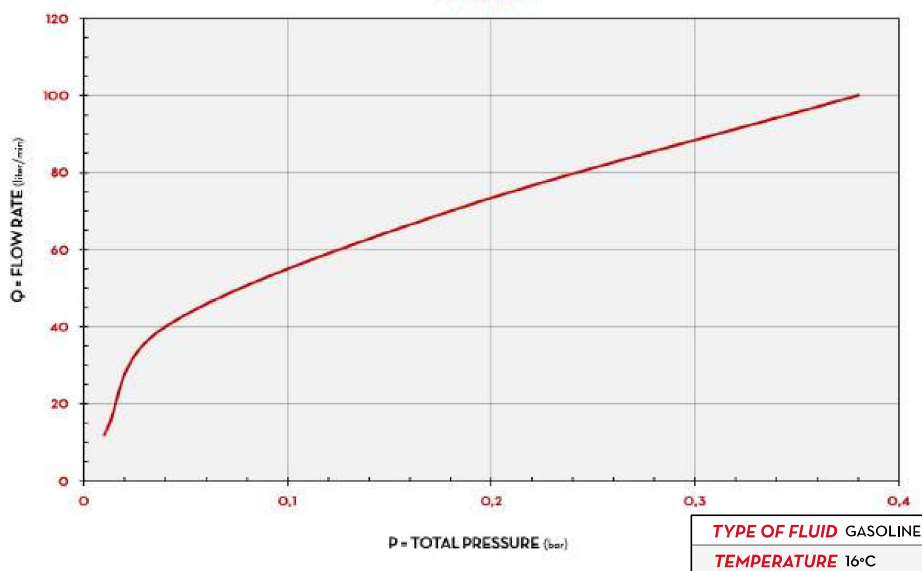
WATER



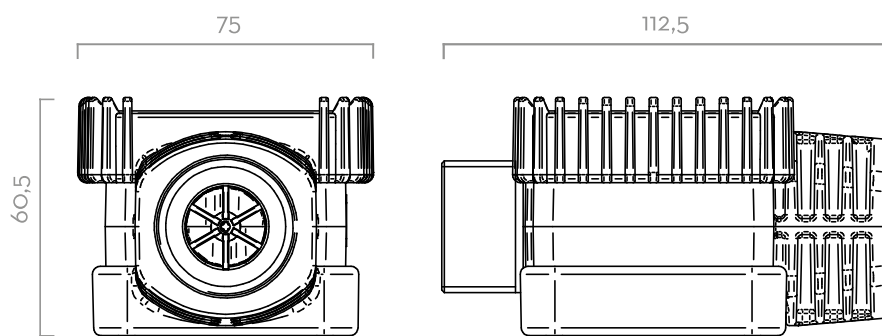
WINDSCREEN

CHART

K24 ATEX



DIMENSIONS



Dimensions expressed in millimeters

IN THE BOX

- K24 ATEX METER
- INSTRUCTION MANUAL

DETAILS



MATERIALS

- BODY: ALUMINIUM
- GEARS: TECHNOPOLYMER

TECHNICAL DATA

CODE	DESCRIPTION	FLUIDS TYPE	FLOW RATE		PRESSURE		SPECIAL BATTERY INCLUDED N° 1.3V LITHIUM	FLANGE	INLET / OUTLET
			L/MIN	GPM	BAR	PSI			
K24 A ATEX/IECEX METER									
FOO408X00	K24 A M/F 1" BSP ATEX/IECEX	D G K	7 - 120	2 - 32	20	300	YES	NO	M 1" BSP - F 1" BSP
K24 A ATEX/IECEX PULSER									
FOO408Y00	K24 A PULSER M/F 1" BSP ATEX/IECEX (92 PULSE/L)	D G K	7 - 120	2 - 32	20	300	NO	NO	M 1" BSP - F 1" BSP

COMPATIBLE FLUIDS: DIESEL, KEROSENE, PETROL, PETROL/ALCOHOL MIXTURE (MAX 20%), AVGAS 100/100LL (PUMP AND FLOW METER ONLY), JET A/A1 (PUMP AND FLOW METER ONLY), ASPEN 2/4. VERSION WITH UL APPROVAL FOR ASPEN 2/4 AVAILABLE.