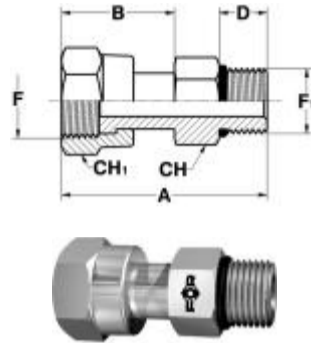


# CONNECTORS O-RING FACE SEAL

## 502135

Connector swivel nut ORFS - male SAE UNF-UN with O.R. ISO 11926 ports



<b>T</b>		<b>RIFERIMENTO REFERENCE</b>	<b>F</b>	<b>F<sub>1</sub></b>	<b>A</b>	<b>B</b>	<b>D</b>	<b>CH</b>	<b>CH<sub>1</sub></b>
<b>MM.</b>	<b>IN.</b>								
6	1/4	<b>A502135-0611</b>	9/16-18 UNF-2A	7/16-20 UNF-2A	45	23,5	11	16	17
8-10	5/16-3/8	<b>A502135-1014</b>	11/16-16 UN-2A	9/16-18 UNF-2A	50	28	12	19	22
12	1/2	<b>A502135-1219</b>	13/16-16 UN-2A	3/4-16 UNF-2A	60	33	14	22	24
14÷16	5/8	<b>A502135-1622</b>	1"-14 UNS-2A	7/8-14 UNF-2A	67	37,5	16	27	30
18-20	3/4	<b>A502135-2027</b>	1"3/16-12 UN-2A	1"1/16-12 UN-2A	74,5	41,5	18,5	32	36
22-25	7/8-1"	<b>A502135-2533</b>	1"7/16-12 UN-2A	1"5/16-12 UN-2A	82	43,5	18,5	38	41
28÷32	1"1/4	<b>A502135-3241</b>	1"11/16-12 UN-2A	1"5/8-12 UN-2A	82,5	44	18,5	48	50
35-38	1"1/2	<b>A502135-3848</b>	2"-12 UN-2A	1"7/8-12 UN-2A	82	44	18,5	55	57
6	1/4	<b>SA502135-0614</b>	9/16-18 UNF-2A	9/16-18 UNF-2A	45	23,5	12	19	17
8-10	5/16-3/8	<b>SA502135-1011</b>	11/16-16 UN-2A	7/16-20 UNF-2A	49	28	11	16	22
8-10	5/16-3/8	<b>SA502135-1019</b>	11/16-16 UN-2A	3/4-16 UNF-2A	55	28	14	22	22
12	1/2	<b>SA502135-1214</b>	13/16-16 UN-2A	9/16-18 UNF-2A	58	33	12	22	24
12	1/2	<b>SA502135-1222</b>	13/16-16 UN-2A	7/8-14 UNF-2A	62	33	16	27	24
14÷16	5/8	<b>SA502135-1619</b>	1"-14 UNS-2A	3/4-16 UNF-2A	65	37,5	14	24	30
14÷16	5/8	<b>SA502135-1627</b>	1"-14 UNS-2A	1"1/16-12 UN-2A	69,5	37,5	18,5	32	30
18-20	3/4	<b>SA502135-2022</b>	1"3/16-12 UN-2A	7/8-14 UNF-2A	71	41,5	16	30	36
18-20	3/4	<b>SA502135-2033</b>	1"3/16-12 UN-2A	1"5/16-12 UN-2A	73,5	41,5	18,5	38	36
22-25	7/8-1"	<b>SA502135-2527</b>	1"7/16-12 UN-2A	1"1/16-12 UN-2A	82	43,5	18,5	35	41
22-25	7/8-1"	<b>SA502135-2541</b>	1"7/16-12 UN-2A	1"5/8-12 UN-2A	82	43,5	18,5	48	41

FOR S.P.A. - NORME E DIMENSIONI SOGGETTE A MODIFICHE SENZA PREAVVISO.

FOR S.P.A. - DESIGN DETAILS AND SPECIFICATIONS SUBJECT TO CHANGE WITHOUT PRIOR NOTICE.