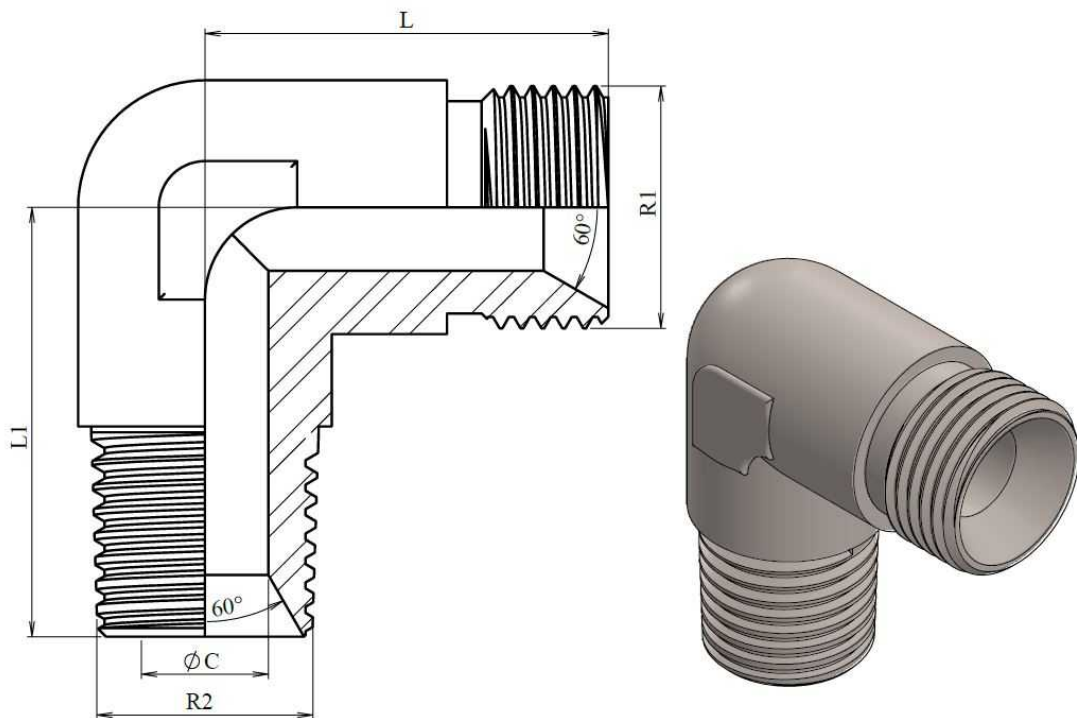


90° Adaptor male BSP 60° - male NPT

Stainless Steel AISI 316-L

1/1



Part n°	R1	R2	L	L1	CH1	ØC
Z11910404	1/4" BSP	1/4" NPT	25,4	26	14	6
Z11910606	3/8" BSP	3/8" NPT	28,5	28	20	8
Z11910808	1/2" BSP	1/2" NPT	32,5	34,5	27	11
Z11911212	3/4" BSP	3/4" NPT	41,3	39	28	18
Z11911616	1" BSP	1" NPT	69	50,5	36	22