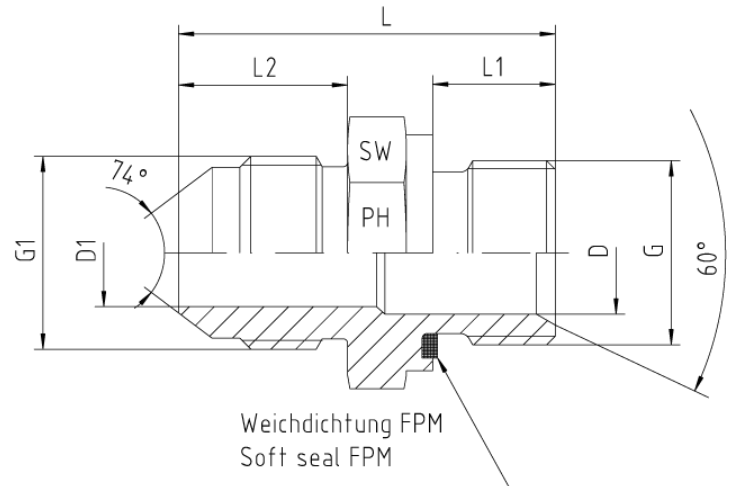
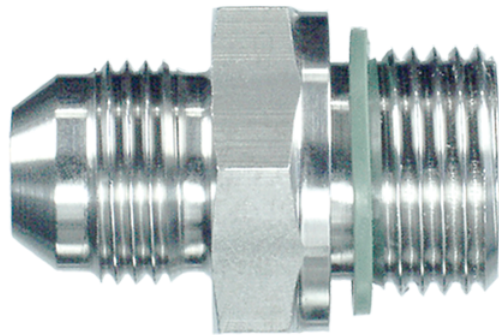


## Rubrik 6.19

### JIC - Männlich x BSP - Männlich



### JIC - Männlich BSP - Männlich Mit gekammerter Weichdichtung

Druck	Rohr A.D.		Gewinde		Ca. Maße						Bestellzeichen	
	PN	mm	in.	G1 = UNF/UN	G = BSP	L	L1	L2	D	D1		SW
350	6	1/4"		7/16"-20	1/8"-28	30,0	8	14,0	3,5	3,5	14	1052510-04-02
350	6	1/4"		7/16"-20	1/4"-19	34,0	12	14,0	4,0	4,0	19	1052510-04-04
350	6	1/4"		7/16"-20	3/8"-19	34,5	12	14,0	8,0	4,0	22	1052510-04-06
350	6	1/4"		7/16"-20	1/2"-14	37,5	14	14,0	11,5	4,0	27	1052510-04-08
350	8	5/16"		1/2"-20	1/8"-28	30,0	8	14,0	4,5	4,5	14	1052510-05-02
350	8	5/16"		1/2"-20	1/4"-19	34,0	12	14,0	5,0	5,0	19	1052510-05-04
350	8	5/16"		1/2"-20	3/8"-19	34,5	12	14,0	8,0	5,0	22	1052510-05-06
350	8	5/16"		1/2"-20	1/2"-14	37,5	14	14,0	11,5	5,0	27	1052510-05-08
350	10	3/8"		9/16"-18	1/8"-28	30,0	8	14,0	4,5	6,0	17	1052510-06-02
350	10	3/8"		9/16"-18	1/4"-19	33,0	10	14,0	6,0	6,0	19	1052510-06-04
350	10	3/8"		9/16"-18	3/8"-19	34,5	12	14,0	7,5	7,5	22	1052510-06-06
350	10	3/8"		9/16"-18	1/2"-14	40,0	14	14,0	12,0	7,5	27	1052510-06-08
350	12	1/2"		3/4"-16	1/4"-19	37,0	10	17,0	5,0	9,5	22	1052510-08-04
350	12	1/2"		3/4"-16	3/8"-19	41,0	12	17,0	9,0	9,0	22	1052510-08-06
350	12	1/2"		3/4"-16	1/2"-14	40,5	14	17,0	9,5	9,5	27	1052510-08-08
350	12	1/2"		3/4"-16	3/4"-14	46,0	16	17,0	17,0	9,5	32	1052510-08-12
350	14, 15, 16	5/8"		7/8"-14	3/8"-19	42,5	12	19,5	8,0	12,0	24	1052510-10-06
350	14, 15, 16	5/8"		7/8"-14	1/2"-14	43,0	14	19,5	12,0	12,0	27	1052510-10-08
350	14, 15, 16	5/8"		7/8"-14	5/8"-14	44,5	16	19,5	14,5	12,0	30	1052510-10-10

350	14, 15, 16	5/8"	7/8"-14	3/4"-14	46,0	16	19,5	17,0	12,0	32	1052510-10-12
350	14, 15, 16	5/8"	7/8"-14	1"-11	50,0	18	19,5	22,5	12,0	41	1052510-10-16
350	18, 20	3/4"	1 1/16"-12	3/8"-19	44,5	12	22,0	8,0	15,0	27	1052510-12-06
350	18, 20	3/4"	1 1/16"-12	1/2"-14	50,0	14	22,0	11,5	15,0	27	1052510-12-08
350	18, 20	3/4"	1 1/16"-12	3/4"-14	51,0	16	22,0	15,0	15,0	32	1052510-12-12
350	18, 20	3/4"	1 1/16"-12	1"-11	53,0	18	22,0	22,5	15,0	41	1052510-12-16
350	18, 20	3/4"	1 1/16"-12	1 1/4"-11	56,5	20	22,0	29,0	15,0	50	1052510-12-20
280	25	1"	1 5/16"-12	1/2"-14	51,0	14	23,0	11,5	21,5	36	1052510-16-08
280	25	1"	1 5/16"-12	3/4"-14	53,0	16	23,0	17,5	21,5	36	1052510-16-12
280	25	1"	1 5/16"-12	1"-11	53,5	18	23,0	21,5	21,5	41	1052510-16-16
280	25	1"	1 5/16"-12	1 1/4"-11	57,5	20	23,0	29,0	21,5	50	1052510-16-20
210	25	1"	1 5/16"-12	1 1/2"-11	59,5	22	23,0	33,5	21,0	55	1052510-16-24
210	28, 30, 32	1 1/4"	1 5/8"-12	3/4"-14	56,7	16	24,3	17,0	26,5	46	1052510-20-12
210	28, 30, 32	1 1/4"	1 5/8"-12	1"-11	55,0	18	24,3	23,0	26,5	46	1052510-20-16
210	28, 30, 32	1 1/4"	1 5/8"-12	1 1/4"-11	59,0	20	24,3	29,0	26,5	50	1052510-20-20
210	28, 30, 32	1 1/4"	1 5/8"-12	1 1/2"-11	61,0	22	24,3	33,5	26,5	55	1052510-20-24
150	28, 30, 32	1 1/4"	1 5/8"-12	2"-11	64,3	25	24,3	46,0	26,5	70	1052510-20-32
210	35, 38	1 1/2"	1 7/8"-12	1"-11	60,0	18	27,5	22,5	32,0	50	1052510-24-16
210	35, 38	1 1/2"	1 7/8"-12	1 1/4"-11	62,0	20	27,5	29,0	32,0	50	1052510-24-20
210	35, 38	1 1/2"	1 7/8"-12	1 1/2"-11	64,0	22	27,5	33,5	32,0	55	1052510-24-24
150	35, 38	1 1/2"	1 7/8"-12	2"-11	67,5	23	27,5	46,0	32,0	70	1052510-24-32
150	50	2"	2 1/2"-12	2"-11	76,0	23	33,9	45,0	45,0	70	1052510-32-32