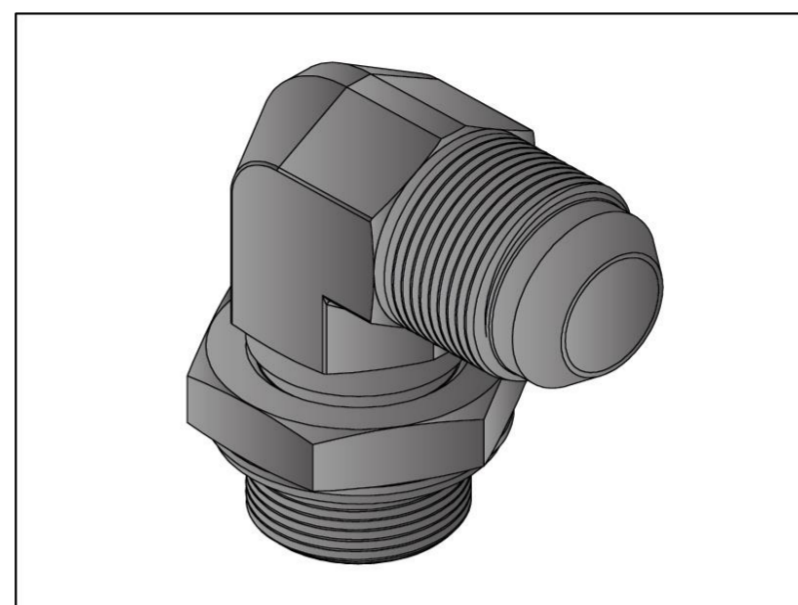
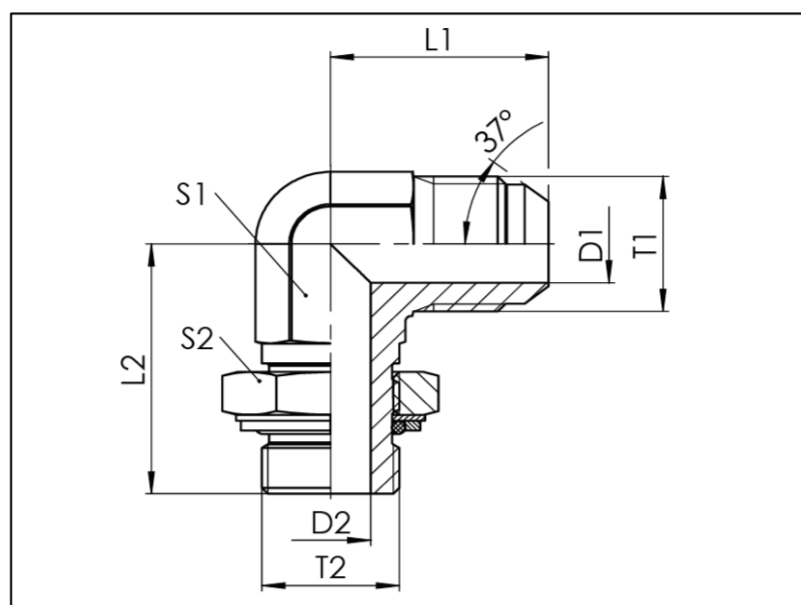


WEE-AGJ-BSPP

37° JIC-AG Bördelanschluss - einstellbarer BSPP-AG Anschluss - 37° JIC-m flared tube ends - adjustable BSPP-m connection

- Einstellbare 90° Winkelverschraubung
- mit Konturmutter und Kammerring
- Abdichtung durch Viton O-Ring ISO 3601
- Gewinde: UNF/UN - BSPP
- ISO 8434-2 / SAE J 514 - ISO 1179



- adjustable 90° elbow connector
- with lock nut and retaining ring
- sealing by Viton O-ring ISO 3601
- thread: UNF/UN - BSPP
- ISO 8434-2 / SAE J 514 - ISO 1179

WEE-AGJ-BSPP

Dash	Rohr OD Tube OD		T1	T2	D1 mm	D2 mm	L1 mm	L2 mm	S1 mm	S2 mm	PN	Gewicht weight g	Bezeichnung Name	Artikel-Nr. Article No.
	mm	inch												
-4-2	6	1/4"	7/16-20 UNF	1/8-BSPP	4,4	4,4	23	27	11	14	250	33	WEE AGJ 7/16 - BSPP 1/8	207122
-4-4	6	1/4"	7/16-20 UNF	1/4-BSPP	4,4	7,5	27	32	14	19	200	58	WEE AGJ 7/16 - BSPP 1/4	207123
-4-6	6	1/4"	7/16-20 UNF	3/8-BSPP	4,4	9,9	29	37	19	22	200	102	WEE AGJ 7/16 - BSPP 3/8	217907
-4-8	6	1/4"	7/16-20 UNF	1/2-BSPP	4,4	12,3	31	43	22	27	200	160	WEE AGJ 7/16 - BSPP 1/2	230059
-5-4	8	5/16"	1/2-20 UNF	1/4-BSPP	6	7,5	27	32	14	19	200	59	WEE AGJ 1/2 - BSPP 1/4	212236
-6-4	10	3/8"	9/16-18 UNF	1/4-BSPP	7,5	7,5	27	32	14	19	200	59	WEE AGJ 9/16 - BSPP 1/4	207124
-6-6	10	3/8"	9/16-18 UNF	3/8-BSPP	7,5	9,9	29	37	19	22	200	103	WEE AGJ 9/16 - BSPP 3/8	207125
-6-8	10	3/8"	9/16-18 UNF	1/2-BSPP	7,5	12,3	31	43	22	27	200	159	WEE AGJ 9/16 - BSPP 1/2	215509
-8-6	12	1/2"	3/4-16 UNF	3/8-BSPP	9,9	9,9	32	37	19	22	200	114	WEE AGJ 3/4 - BSPP 3/8	215440
-8-8	12	1/2"	3/4-16 UNF	1/2-BSPP	9,9	12,3	34	43	22	27	200	170	WEE AGJ 3/4 - BSPP 1/2	207126
-8-12	12	1/2"	3/4-16 UNF	3/4-BSPP	9,9	15,5	42	50	27	36	200	311	WEE AGJ 3/4 - BSPP 3/4	207128
-8-16	12	1/2"	3/4-16 UNF	1-BSPP	9,9	21,5	39	52	33	41	200	444	WEE AGJ 3/4 - BSPP 1	230061
-10-8	14 15 16	5/8"	7/8-14 UNF	1/2-BSPP	12,3	12,3	37	43	22	27	200	179	WEE AGJ 7/8 - BSPP 1/2	207127
-12-8	18 20	3/4"	1.1/16-12 UN	1/2-BSPP	15,5	12,3	42	50	27	27	200	283	WEE AGJ 1.1/16 - BSPP 1/2	215511
-12-12	18 20	3/4"	1.1/16-12 UN	3/4-BSPP	15,5	15,5	42	50	27	36	200	319	WEE AGJ 1.1/16 - BSPP 3/4	207129
-12-16	18	3/4"	1.1/16-12 UN	1-BSPP	15,5	21,5	44	52	33	41	200	460	WEE AGJ 1.1/16 - BSPP 1	230062
-16-12	22 25	1"	1.5/16-12 UN	3/4-BSPP	21,5	15,5	46	47	33	36	200	410	WEE AGJ 1.5/16 - BSPP 3/4	236658
-16-16	22 25	1"	1.5/16-12 UN	1-BSPP	21,5	21,5	46	52	33	41	200	457	WEE AGJ 1.5/16 - BSPP 1	207130
-20-20	28 30 32	1.1/4"	1.5/8-12 UN	1.1/4-BSPP	27,5	27,5	52,5	57	41	50	160	748	WEE AGJ 1.5/8 - BSPP 1.1/4	207131
-24-24	35 38	1.1/2"	1.7/8-12 UN	1.1/2-BSPP	33,5	33	59	60,5	50	55	140	1091	WEE AGJ 1.7/8 - BSPP 1.1/2	207132

Technische Änderungen vorbehalten / Subject to technical alteration