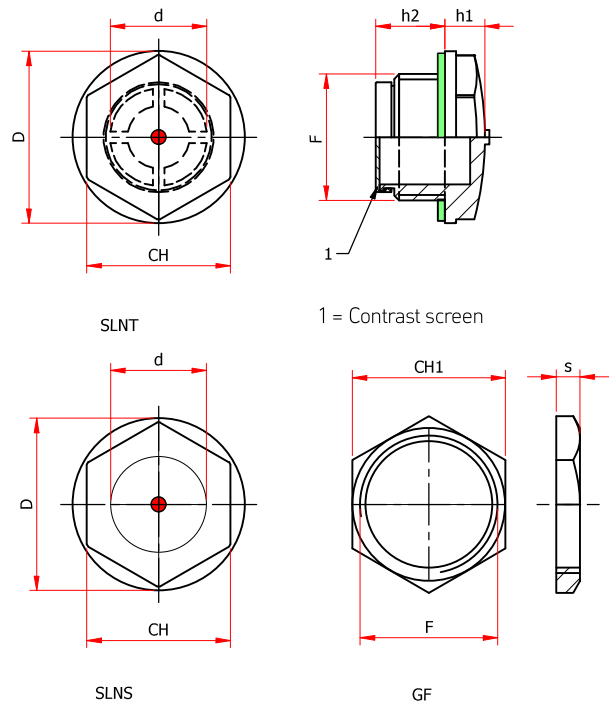


SLNS - OIL LEVEL INDICATORS

SLNT - OIL LEVEL INDICATORS WITH REFLECTOR



-Threaded oil level indicators, hex head with shoulder. Utilized in oil tanks, gearboxes, hydraulic machinery and tools.

-Made from transparent polyamide which provides good mechanical resistance to shocks, hydraulic fluids, synthetic and mineral oils, diesel, some unleaded fuel; avoid contact with alcohol based solutions and antifreeze liquids, especially at high temperatures.

-Special model **SLNS-T/CX** made from special resin resistant to fluid containing alcohol and anti-freeze liquids.

-Fiber gasket (optional NBR flat seal on request).

-The level indicator features a "hot painted" red point in the center (model SLNS). The model SLNT is provided with a contrast white screen for clearer indication of the oil level.

-Dimensional stability up to temperature of **100°C/212°F**.

-Maximum tightening torque suggested for installation is indicated in the table (Nm).

-For wall thickness less than 5 mm use the brass fixing nuts GF, supplied separately.

Code	CH	F	D	d	h1	h2	Nm	Ch1	s	
SLNS/14	17	G 1/4	20,5	9	8,5	8,5	5	-	-	
SLNS/38	SLNT/38	18	G 3/8	22	10	7	12	7	19	5
SLNS/12	SLNT/12	24	G 1/2	28	13,5	8	12,5	15	27	5
SLNS/34	SLNT/34	30	G 3/4	36	19,5	9	14	20	32	6
SLNS/1	SLNT/1	36	G 1	42	23,5	10	14	25	36	6
SLNS/114	SLNT/114	42	G 1 1/4	51	31	10	17,5	-	46	6
SLNS/112	SLNT/112	50	G 1 1/2	57,5	38,5	9,5	22	-	-	-
SLNS/2	SLNT/2	64	G 2	74	48	12,2	20,5	-	-	-
SLNS/14.15		17	M14x1,5	20	9	8,5	9,5	5	-	-
SLNS/16.15	SLNT/16.15	18	M16x1,5	22	10	7	13	7	-	-
SLNS/18.15	SLNT/18.15	21	M18x1,5	25,5	12	6	12,5	10	-	-
SLNS/20.15	SLNT/20.15	24	M20x1,5	28	13,5	7,5	12	15	-	-
SLNS/22.15	SLNT/22.15	24	M22x1,5	28	14	7,5	12	15	-	-
SLNS/26.15	SLNT/26.15	30	M26x1,5	36	20	9	13,5	20	-	-
SLNS/27.15	SLNT/27.15	30	M27x1,5	36	20	9	13,5	20	-	-
SLNS/40.15	SLNT/40.15	42	M40x1,5	51	31	10	17,5	-	-	-