

**FUNCTION
FITTINGS
EXHAUST
VALVES**

PLUS

**WIDE RANGES OF MATERIALS AND
MODELS DESIGNED FOR DIFFERENT
USES IN AUTOMOTION**

OPTIMISED EXHAUST SYSTEM

**FLAME RESISTANT (MEV&ESC
SERIES)**

**TECNOPOLYMER VERSION ARE
DUAL-PURPOSE, WITH FLOW
REGULATOR AND INTEGRATED
SILENCER (ESC-R & ESC-G)**



EXHAUST VALVES / M SERIES



p. 358 / **MEVU**



p. 358 / **MEVS**

EXHAUST VALVES WITH FLOW REGULATOR / TECHNOPOLYMER



p. 360 / **ESC-M**



p. 362 / **ESC-R**



p. 362 / **ESC-G**

EXHAUST VALVES / BRASS



p. 364 / **1100**



p. 364 / **1100-N**



p. 364 / **1101**



p. 364 / **1102**

EXHAUST VALVES / STAINLESS STEEL AISI 316

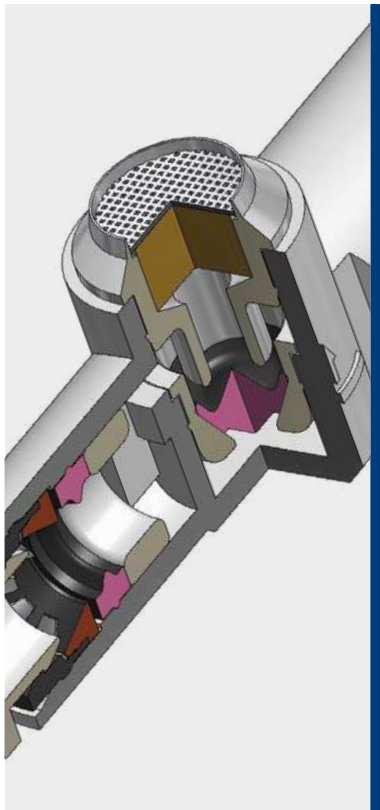


p. 366 / **1400**



p. 366 / **1400N**





-5°C ÷ 60°C



Working pressure:
10 Bar
Min. working pressure:
1 Bar

Pressure peaks do not exceed the max working pressure



Compressed air



Polyamide PA,
polyurethane PU,
polyethylene PE

- Body: PA66
- Mesh: Stainless steel AISI 301
- Back ring: PA66
- Seal: NBR
- Lock claw: Stainless steel AISI 301
- Collar: PA66
- Seat ring: Brass
- Holder: POM
- Collet: PA66
- Filter: PE
- Housing: Brass
- Valve: NBR

SILICONE FREE

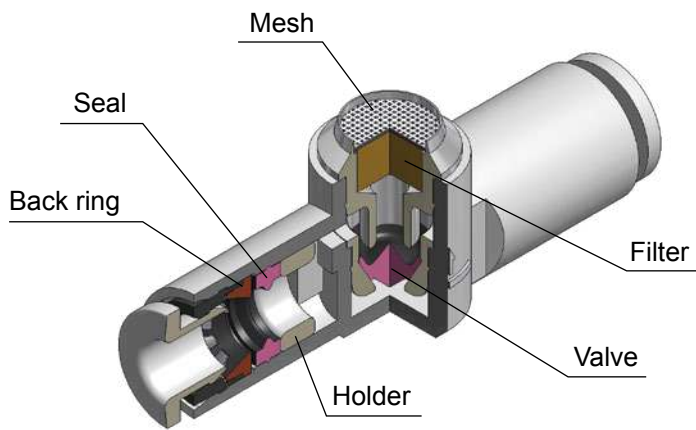


Products in compliance with EC Regulation 1907/2006



Products in compliance with the directive EU 2015/863

CONSTRUCTION DETAILS

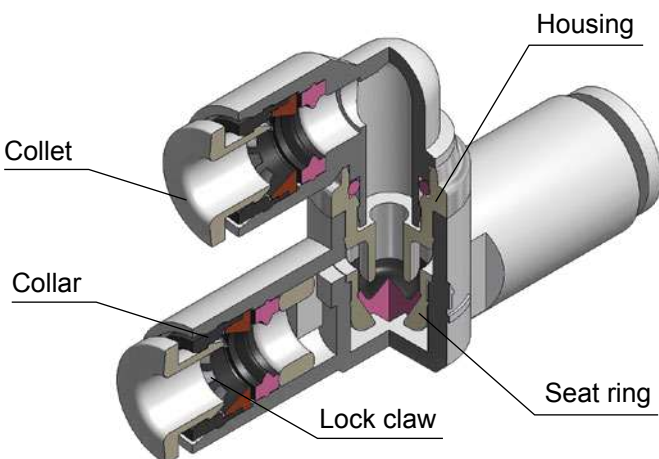


PLUS - MEVU

Silenced exhaust to the atmosphere through the incorporated silencer.

Easy assembly thanks to push-in fittings incorporated.

Suitable for multiple applications thanks to light weight and compact size.



PLUS - MEVS

Connection exhaust to be conveyed.

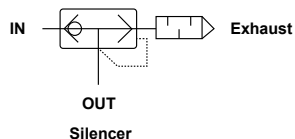
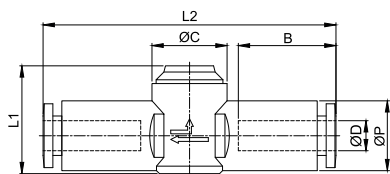
Easy assembly thanks to push-in fittings incorporated.

Suitable for multiple applications thanks to the light weight and compact size.



MEVU

Quick exhaust valve with silencer



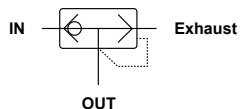
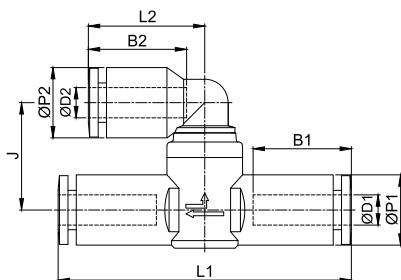
CODE	ØD	ØP	ØC	B	L1	L2	g
MEVU04W	4	9,3	10	13,0	14,4	39,0	4,5
MEVU06W	6	11,5	10	14,5	15,9	41,7	5,5

Section in mm²

CODE	Ø TUBE (mm)	IN - OUT	OUT - EXHAUST
MEVU04W	4	1,7	2,5
MEVU06W	6	2,4	2,7

MEVS

Quick exhaust valve with push-in fittings

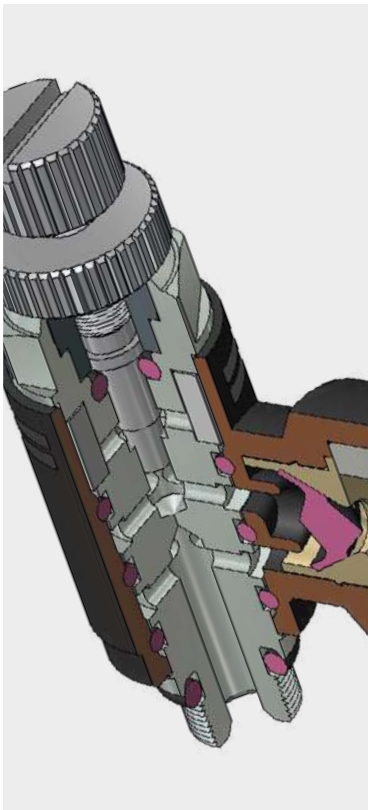


CODE	ØD1	ØD2	B1	B2	ØP1	ØP2	L1	L2	J	g
MEVS04W	4	4	13,0	13,0	9,3	9,3	39,0	15,4	14,2	5,9
MEVS06W	6	6	14,5	14,5	11,5	11,5	41,7	17,3	15,6	7,5

Section in mm²

CODE	Ø TUBE (mm)	IN - OUT	OUT - EXHAUST
MEVS04W	4	1,7	2,5
MEVS06W	6	2,4	2,7





0°C ÷ 60°C



Working pressure:
10 Bar



Compressed air
(do not use with water)



Metric ISO 262
M3 and M5



Polyamide PA, Polyurethane PU



Manual flow regulation

Body: Nickel-plated brass and PBT

Collet: POM

Collar: Zinc

Lock claw: Stainless steel AISI 301

Back ring: POM

Seal: NBR

O-ring: NBR

Handle: Brass

Lock nut: Brass

Valve: HNBR

Filter/Silencer: PE

SILICONE FREE

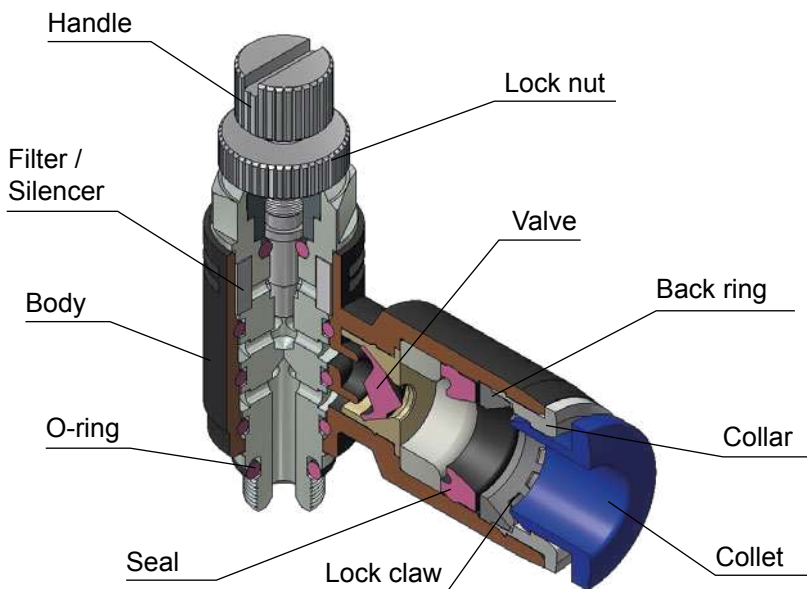


Products in compliance with
EC Regulation 1907/2006

RoHS3

Products in compliance with
the directive EU 2015/863

CONSTRUCTION DETAILS



PLUS

Quick exhaust valve with flow regulator.

High-speed cylinder operation.

Complete with silencer and flow regulator.

Combines three pneumatic functions in one compact body (quick exhaust, flow regulator and silencer).

Flame resistant (UL 94 V-0).

TIGHTENING TORQUE

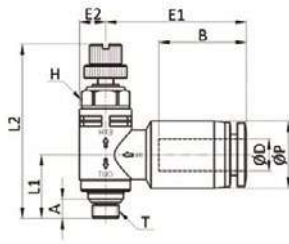
METRIC ISO 262

THREAD	M3x0,5	M5x0,8
Nm	1,5	1,5

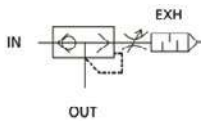


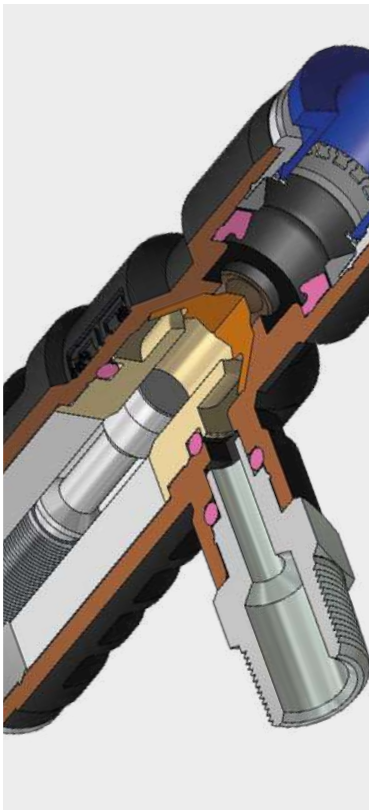
ESC-M

Quick exhaust valve, metric thread, with manual flow regulation



CODE	ØD	ØP	T	L1	L2 MIN	L2 MAX	E1	E2	A	B	H	g
ESC04M3	4	10,3	M3x0,5	11,9	32,2	34,7	25,8	4,9	3,0	14,8	8	11,4
ESC04M5		10,3	M5x0,8	11,9	32,2	34,7	25,8	4,9	3,6	14,8	8	11,3
ESC06M5	6	12,5	M5x0,8	11,9	32,2	34,7	26,4	4,9	3,6	16,5	8	12,3





0°C ÷ 60°C



Working pressure:
10 Bar



Compressed
(do not use with water)



Manual flow regulation



- Taper gas BSPT ISO 7
from R1/8" to R1/2" with teflon
- Parallel gas BSPP ISO 228
from G1/8" to G1/2"



Polyamide PA, Polyurethane PU

PLUS

Quick exhaust valve with flow regulator.
High-speed cylinder operation.
Complete with silencer and flow regulator.
Flame resistant (UL 94 V-0).

- Body: Nickel-plated brass and PBT
- Collet: POM
- Collar: Zinc
- Lock claw: Stainless steel AISI 301
- Back ring: POM
- Seal: NBR
- O-ring: NBR
- Handle: Nickel-plated brass
- Locking nut: Nickel-plated brass
- Valve: Polyurethane
- Filter/Silencer: PE



SILICONE FREE

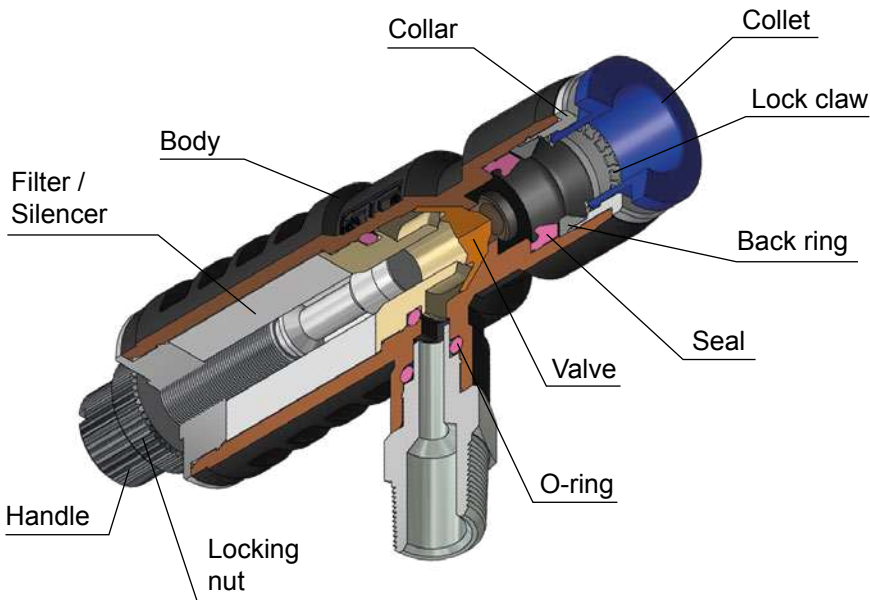


Products in compliance with
EC Regulation 1907/2006



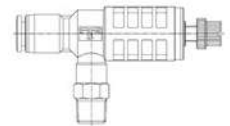
Products in compliance with
the directive EU 2015/863

CONSTRUCTION DETAILS

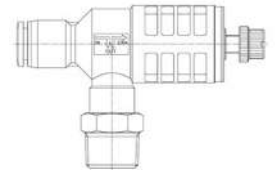


SIZES ESC-R - ESC-G

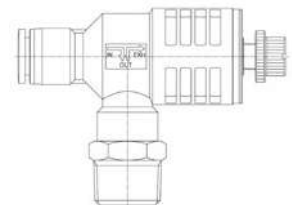
S
small



M
medium



L
large



TIGHTENING TORQUE
TAPER GAS BSPT ISO 7

THREAD	1/8"	1/4"	3/8"	1/2"
Nm	7	12	22	28

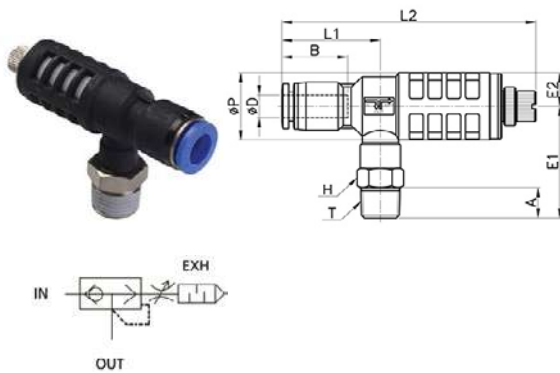
TIGHTENING TORQUE
PARALLEL GAS BSPP ISO 228

THREAD	1/8"	1/4"	3/8"	1/2"
Nm	10	15	25	40



ESC-R

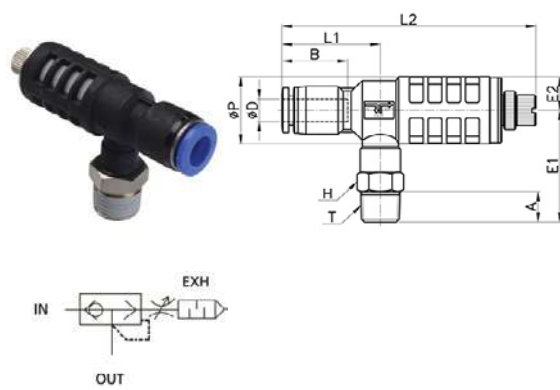
Quick exhaust valve, BSPT thread, with manual flow regulator



CODE	ØD	ØP	T	L1	L2 MIN	L2 MAX	E1	E2	A	B	H	g	
ESC06R01-S	6	12,5	R 1/8"	24,5	63,3	72,0	29,3	8,8	8,0	16,5	10	21,5	
ESC06R02-S		12,5	R 1/4"	24,5	63,3	72,0	31,3	8,8	10,0	16,5	14	26,3	
ESC08R01-S	8	14,8	R 1/8"	26,5	65,1	71,7	29,3	8,8	8,0	18,3	10	22,5	
ESC08R02-S		14,8	R 1/4"	26,5	65,1	71,7	31,3	8,8	10,0	18,3	14	27,4	
ESC08R01-M		14,8	R 1/8"	29,8	73,2	82,3	34,5	12,0	8,0	18,3	14	40,0	
ESC08R02-M	8	14,8	R 1/4"	29,8	73,2	82,3	37,5	12,0	10,0	18,3	14	42,9	
ESC08R03-M		14,8	R 3/8"	29,8	73,2	82,3	38,5	12,0	11,0	18,3	17	48,5	
ESC10R01-M		10	17,5	R 1/8"	31,7	75,0	84,1	34,5	12,0	8,0	20,1	14	41,7
ESC10R02-M	17,5		R 1/4"	31,7	75,0	84,1	37,5	12,0	10,0	20,1	14	44,7	
ESC10R03-M	17,5		R 3/8"	31,7	75,0	84,1	38,5	12,0	11,0	20,1	17	50,2	
ESC10R02-L	17,5		R 1/4"	34,4	80,1	88,6	42,4	15,0	10,0	20,1	19	72,5	
ESC10R03-L	17,5		R 3/8"	34,4	80,1	88,6	43,4	15,0	11,0	20,1	19	76,5	
ESC10R04-L	10	17,5	R 1/2"	34,4	80,1	88,6	46,4	15,0	14,0	20,1	21	85,2	
ESC12R02-L		12	20,5	R 1/4"	37,1	83,1	91,6	42,4	15,0	10,0	23,1	19	75,2
ESC12R03-L			20,5	R 3/8"	37,1	83,1	91,6	43,4	15,0	11,0	23,1	19	79,2
ESC12R04-L			20,5	R 1/2"	37,1	83,1	91,6	46,4	15,0	14,0	23,1	21	88,1

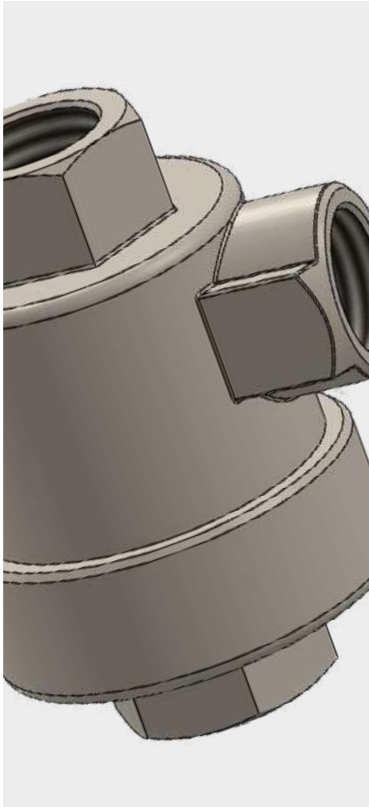
ESC-G

Quick exhaust valve, BSPP thread, with manual flow regulator



CODE	ØD	ØP	T	L1	L2 MIN	L2 MAX	E1	E2	A	B	H	g	
ESC06G01-S	6	12,5	G 1/8"	24,5	63,3	72,0	26,3	8,8	5,0	16,5	14	24,5	
ESC06G02-S		12,5	G 1/4"	24,5	63,3	72,0	28,3	8,8	6,5	16,5	17	28,3	
ESC08G01-S	8	14,8	G 1/8"	26,5	65,1	71,7	26,3	8,8	5,0	18,3	14	25,5	
ESC08G02-S		14,8	G 1/4"	26,5	65,1	71,7	28,3	8,8	6,5	18,3	17	29,4	
ESC08G01-M		14,8	G 1/8"	29,8	73,2	82,3	31,5	12,0	5,0	18,3	14	38,0	
ESC08G02-M	8	14,8	G 1/4"	29,8	73,2	82,3	33,5	12,0	6,5	18,3	17	41,9	
ESC08G03-M		14,8	G 3/8"	29,8	73,2	82,3	33,0	12,0	6,5	18,3	20	46,5	
ESC10G01-M		10	17,5	G 1/8"	31,7	75,0	84,1	31,5	12,0	5,0	20,1	14	39,7
ESC10G02-M	17,5		G 1/4"	31,7	75,0	84,1	33,5	12,0	6,5	20,1	17	43,7	
ESC10G03-M	17,5		G 3/8"	31,7	75,0	84,1	33,0	12,0	6,5	20,1	20	48,2	
ESC10G02-L	17,5		G 1/4"	34,4	80,1	88,6	38,4	15,0	6,5	20,1	19	68,5	
ESC10G03-L	17,5		G 3/8"	34,4	80,1	88,6	37,9	15,0	6,5	20,1	20	71,5	
ESC10G04-L	10	17,5	G 1/2"	34,4	80,1	88,6	39,4	15,0	8,0	20,1	24	78,2	
ESC12G02-L		12	20,5	G 1/4"	37,1	83,1	91,6	38,4	15,0	6,5	23,1	19	71,2
ESC12G03-L			20,5	G 3/8"	37,1	83,1	91,6	37,9	15,0	6,5	23,1	20	74,2
ESC12G04-L			20,5	G 1/2"	37,1	83,1	91,6	39,4	15,0	8,0	23,1	24	81,1





-20°C ÷ 80°C



Working pressure:
from 0,5 to 10 Bar



Compressed air



- Parallel gas BSPP ISO 228
from G1/8" to G1"
- Metric ISO 262
M5
- NPT
from N1/8" to N1/2"

Body: Nickel-plated brass
UNI EN 12165 CW617N



Membrane:
- NBR for M5 thread
- Polyurethane elastomer for all other sizes

Seal: Nylon

AVAILABILITY

Available on request with Viton membrane
from metric thread M5 to 1/2" BSPP thread

SILICONE FREE

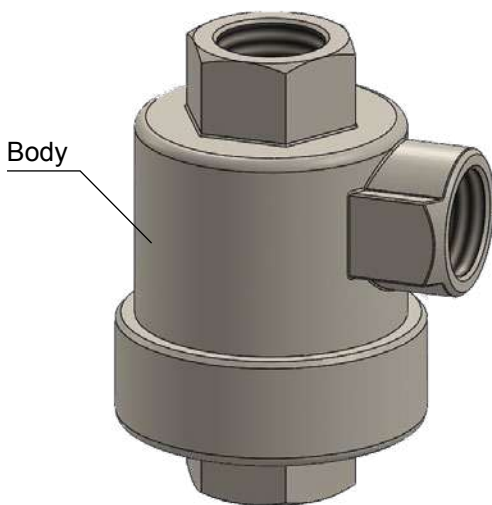


Products in compliance with
EC Regulation 1907/2006

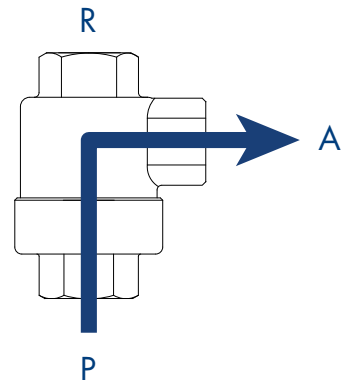
RoHS3

Products in compliance with
the directive EU 2015/863

CONSTRUCTION DETAILS



FLOW EXHAUST



This valve allows the air to be quickly expelled and consequently speeds up the working time.

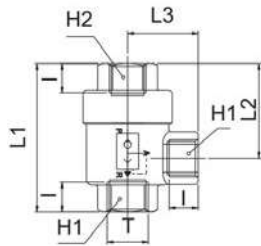
The air entering "P" displaces the membrane closing the outlet "R" and exits from outlet "A".

As soon as we remove the pressure coming from "P", the air at outlet "A" closes the outlet "P" due to the pressure difference, exiting quickly from exhaust outlet "R" where it is recommended to mount a silencer.



1100

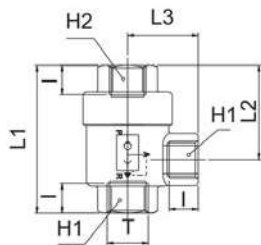
Quick exhaust valve, BSPP & metric thread



CODE	T	I	L1	L2	L3	H1	H2	g
1100TRM5	M5x0,8	4,5	24,8	15,6	10,5	10	10	27
1100TR18	G 1/8"	8,0	42,0	28,0	19,5	14	14	84
1100TR14	G 1/4"	11,0	53,0	34,5	25,0	19	19	146
1100TR38	G 3/8"	12,0	55,0	36,0	26,0	21	21	150
1100TR12	G 1/2"	14,0	71,0	44,0	35,0	26	26	314
1100TR34	G 3/4"	18,0	86,0	52,0	38,5	32	32	450
1100TR1	G 1"	19,0	94,0	56,0	42,0	38	38	525

1100-N

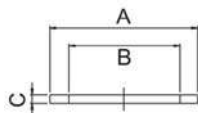
Quick exhaust valve, NPT thread



CODE	T	I	L1	L2	L3	H1	H2	g
1100TRN18	N 1/8"	8,0	42,0	28,0	19,5	14	14	84
1100TRN14	N 1/4"	11,0	53,0	34,5	25,0	19	19	146
1100TRN38	N 3/8"	12,0	55,0	36,0	26,0	21	21	150
1100TRN12	N 1/2"	14,0	71,0	44,0	35,0	26	26	314

1101

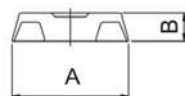
Nylon body seal



CODE	FOR VALVE	A	B	C	g
1101TRM5	M5x0,8	17,0	12,4	0,8	0,080
1101TR18	1/8"	23,8	20,0	1,0	0,014
1101TR14	1/4"	28,5	24,0	1,0	0,018
1101TR38	3/8"	28,5	24,0	1,0	0,018
1101TR12	1/2"	38,6	32,0	1,5	0,030
1101TR34	3/4"	45,0	38,0	1,5	0,760
1101TR1	1"	45,0	38,0	1,5	0,760

1102

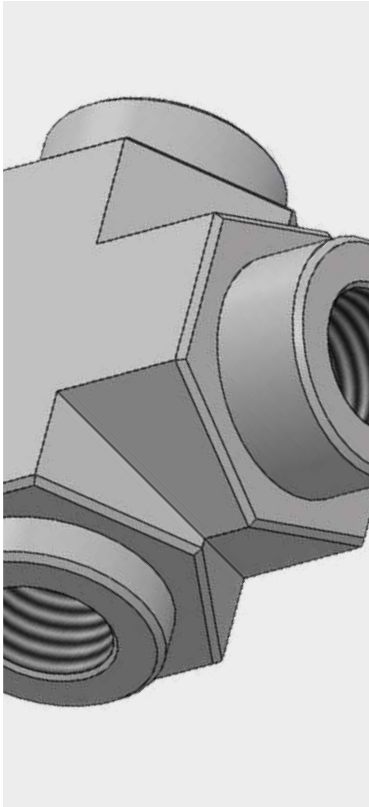
Membrane for valve in polyurethane elastomer



CODE	FOR VALVE	A	B	g
* 1102TRM5	M5x0,8	13,5	4,5	0,4
1102TR18	1/8"	20,5	5,0	1,1
1102TR14	1/4"	25,5	5,8	1,9
1102TR38	3/8"	25,5	5,8	1,9
1102TR12	1/2"	35,5	8,2	2,5
1102TR34	3/4"	40,5	9,0	7,0
1102TR1	1"	40,5	9,0	7,0

* Membrane in NBR





VITON:
-20°C ÷ 120°C

POLYURETHANE:
-20°C ÷ 82°C

Working pressure:
from 0 to 40 Bar

Compressed air

- Parallel gas BSPP ISO 228
from G1/8" to G1"

- NPT
N1/4", N1/2", N1"

Body: Stainless steel AISI 316

Seal:
1/8" and 1/4" in Viton
from 3/8" to 1" in Polyurethane

SILICONE FREE

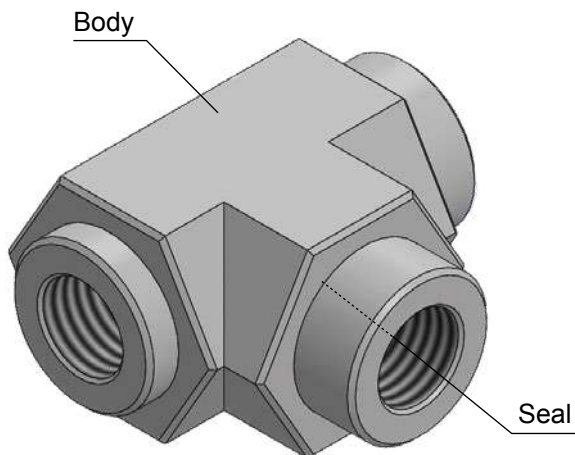


Products in compliance with EC Regulation 1907/2006

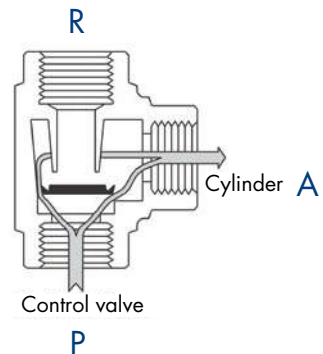
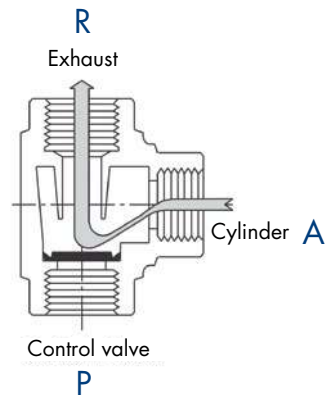
RoHS3

Products in compliance with the directive EU 2015/863

CONSTRUCTION DETAILS

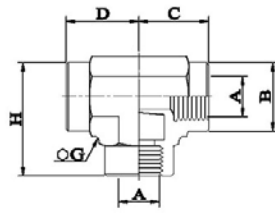


FLOW DIRECTION



1400

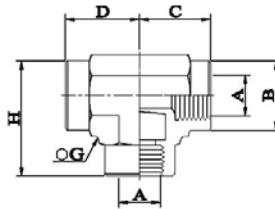
Quick exhaust valve, BSPP thread



CODE	A	B	C	D	H	G	g
1400TR18	G 1/8"	17	21	16,5	31,5	22	125,0
1400TR14	G 1/4"	17	21	16,5	31,5	22	155,0
1400TR38	G 3/8"	22	25,5	19	37	27	202,0
1400TR12	G 1/2"	27	31	23	46	32	305,0
1400TR34	G 3/4"	38	44	35	46	46	915,0
1400TR1	G 1"	38	44	35	46	46	1380,0

1400-N

Quick exhaust valve, NPT thread



CODE	T	I	L1	L2	L3	H1	g
1400TRN14	N 1/4"	17	21	16,5	31,5	22	155,0
1400TRN12	N 1/2"	27	31	23	46	32	305,0
1400TRN1	N 1"	38	44	35	46	46	1380,0

