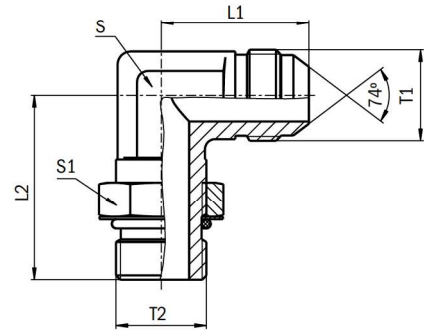




JIC MJ-MMAOR90

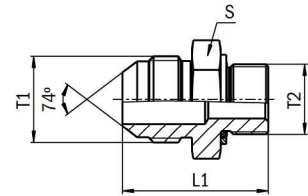
JIC 37° male / adjustable male metric
90° elbow with O-Ring



| THREAD | | LENGTH | | HEX/FLATS | | WORKING PRESSURE | ADAPTOR |
|------------|---------|--------|------|-----------|------|------------------|----------------|
| T1 | T2 | L1 | L2 | S | S1 | WP | REF. |
| JIC | METRIC | mm | mm | mm | mm | bar | JIC |
| 1/2"-20 | M12x1.5 | 27.0 | 31.5 | 14.0 | 17.0 | 250 | 5MJ-12MMAOR90 |
| 3/8"-18 | M14x1.5 | 27.0 | 32.5 | 14.0 | 19.0 | 250 | 6MJ-14MMAOR90 |
| 3/4"-16 | M18x1.5 | 31.5 | 37.0 | 19.0 | 24.0 | 250 | 8MJ-18MMAOR90 |
| 7/8"-14 | M18x1.5 | 36.5 | 41.5 | 22.0 | 24.0 | 240 | 10MJ-18MMAOR90 |
| 7/8"-14 | M22x1.5 | 36.5 | 43.0 | 22.0 | 27.0 | 240 | 10MJ-22MMAOR90 |
| 1.1/16"-12 | M22x1.5 | 42.0 | 45.5 | 27.0 | 27.0 | 240 | 12MJ-22MMAOR90 |
| 1.1/16"-12 | M27x2 | 42.0 | 51.5 | 27.0 | 32.0 | 240 | 12MJ-27MMAOR90 |

JIC MJ-MMCOR

JIC 37° male / male metric with O-Ring and retaining ring



| THREAD | | LENGTH | HEX/FLATS | WORKING PRESSURE | ADAPTOR |
|---------|---------|--------|-----------|------------------|-------------|
| T1 | T2 | L | S | WP | REF. |
| JIC | METRIC | mm | mm | bar | JIC |
| 3/8"-18 | M14x1.5 | 33.5 | 19.0 | 250 | 6MJ-14MMCOR |
| 3/8"-18 | M18x1.5 | 37.0 | 24.0 | 250 | 6MJ-18MMCOR |

INTRODUCTION
 BSP ADAPTORS
 JIC ADAPTORS
 ORFS ADAPTORS
 PRESSURE WASH ADAPTORS
 QUICK-LOK ADAPTORS