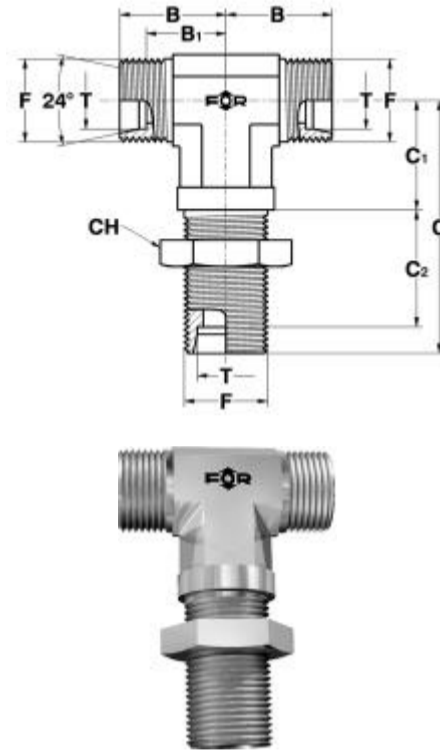


24° CONNECTORS DIN 3861

712503

Bulkhead union tee male DIN S series



T	RIFERIMENTO REFERENCE	F	B	B ₁	C	C ₁	C ₂	CH
MM.								
6	A712503-06	M14x1,5-6g	23	16	53	17	29	19
8	A712503-08	M16x1,5-6g	24	17	54	18	29	22
10	A712503-10	M18x1,5-6g	25	17,5	57	20	29,5	24
12	A712503-12	M20x1,5-6g	29	21,5	59	21	30,5	27
14	A712503-14	M22x1,5-6g	30	22	63	23	32	30
16	A712503-16	M24x1,5-6g	33	24,5	64	24	31,5	32
20	A712503-20	M30x2-6g	37	26,5	74	30	33,5	41
25	A712503-25	M36x2-6g	42	30	81	34	35	46
30	A712503-30	M42x2-6g	49	35,5	90	39	37,5	50
38	A712503-38	M52x2-6g	57	41	96	43	37	65

FOR S.P.A. - NORME E DIMENSIONI SOGGETTE A MODIFICHE SENZA PREAVVISO.
 FOR S.P.A. - DESIGN DETAILS AND SPECIFICATIONS SUBJECT TO CHANGE WITHOUT PRIOR NOTICE.