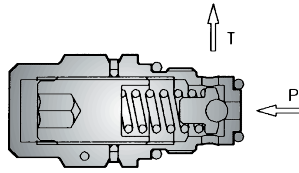
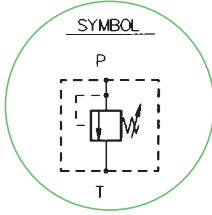


DIRECTLY OPERATED PRESSURE RELIEF VALVE

Type VM 03

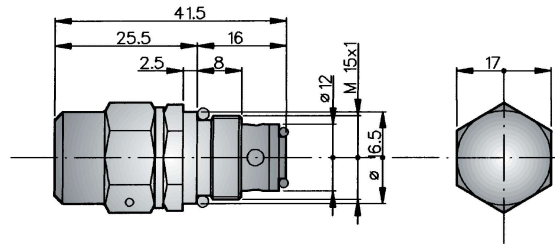


SIZE	03	
NOMINAL PORT SIZE	3	
MAX FLOW RATE	l/min	10
	US gpm	2.7
MAX PRESSURE	bar	315
	psi	4500
CAVITY NUMBER	00.95.049	
MAX TIGHTENING TORQUE	Nm	20
WEIGHT	CARTRIDGE ONLY	0.045
	WITH HOUSING	0.145

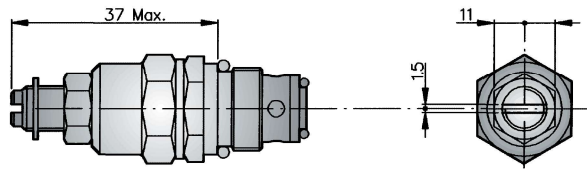
NOTE: Presetting these valves is allowed only when supplied assembled along with their housing.

DIMENSIONS (mm)

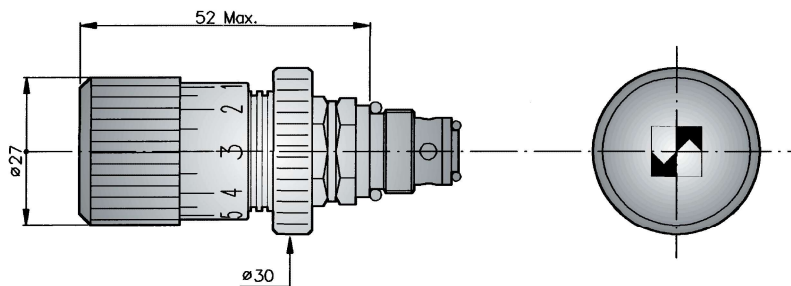
Adjustment E



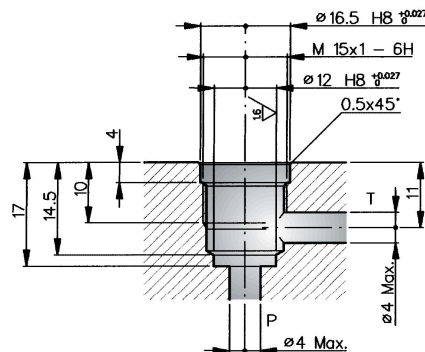
Adjustment EN



Adjustment M



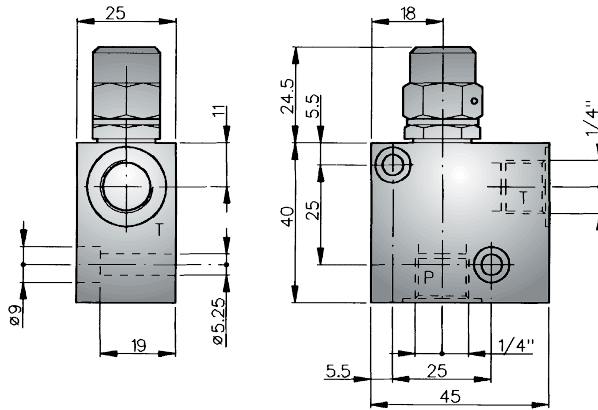
Cavity



⊙	0.05
⊥	0.025

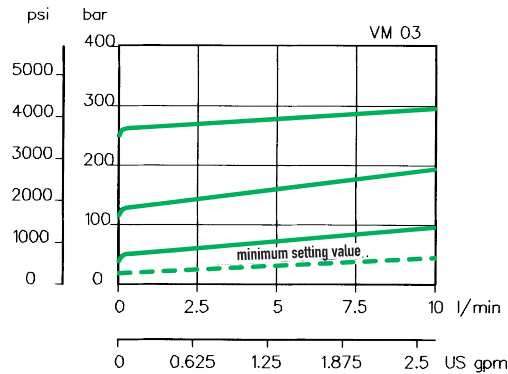
DIMENSIONS (mm)

STANDARD HOUSING
 Type DG



CHARACTERISTIC OPERATING CURVES

Measurements effected at 20°C ambient temperature with mineral oil having viscosity of 26 cSt at 50°C. With housing DG.



EXAMPLE OF DESIGNATION

VM 03/E-1-DG-V

