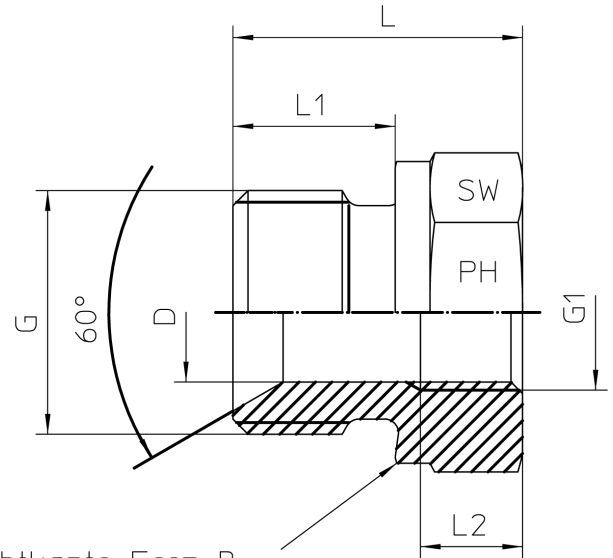
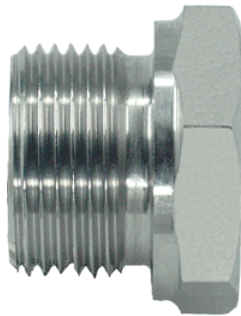


Rubrik 5.46

BSP - Exterior / Interior - Forma A



Dichtkante Form B
Sealing Shoulder Form B

Form A With 60°-Cone at Male Thread Both Threads BSP - Parallel - DIN / ISO 228 Sealing by Sealing Shoulder Form B

Pressure	Thread		Approx. Dimensions					Form	Número de artículo
	G = BSP	G1 = BSP	L	L1	L2	D	SW		
400	3/8"-19	1/8"-28	22,5	12,0	8,0	9,0	22	A	1050515-06-02
400	1/2"-14	1/8"-28	24,0	14,0	8,0	9,0	27	A	1050515-08-02
400	1/2"-14	1/4"-19	24,0	14,0	12,0	12,0	27	A	1050515-08-04
400	3/4"-14	1/8"-28	26,0	16,0	8,0	9,0	32	A	1050515-12-02
400	3/4"-14	1/4"-19	26,0	16,0	12,0	11,5	32	A	1050515-12-04
400	3/4"-14	3/8"-19	26,0	16,0	13,0	15,0	32	A	1050515-12-06
400	1"-11	1/4"-19	29,0	18,0	12,0	11,5	41	A	1050515-16-04
400	1"-11	3/8"-19	29,0	18,0	12,0	15,0	41	A	1050515-16-06
400	1"-11	1/2"-14	29,0	18,0	14,0	19,0	41	A	1050515-16-08
250	1 1/4"-11	3/8"-19	32,0	20,0	17,0	15,0	50	A	1050515-20-06
250	1 1/4"-11	1/2"-14	32,0	20,0	14,0	19,0	50	A	1050515-20-08
250	1 1/4"-11	3/4"-14	32,0	20,0	16,0	24,5	50	A	1050515-20-12
250	1 1/2"-11	1/2"-14	36,0	22,0	14,0	19,0	55	A	1050515-24-08
250	1 1/2"-11	3/4"-14	36,0	22,0	16,0	24,5	55	A	1050515-24-12
250	1 1/2"-11	1"-11	36,0	22,0	18,0	30,0	55	A	1050515-24-16
250	2"-11	1/2"-14	41,5	22,5	16,0	19,0	70	A	1050515-32-08
250	2"-11	3/4"-14	42,0	22,5	16,0	24,5	70	A	1050515-32-12
250	2"-11	1"-11	42,0	22,5	18,5	30,0	70	A	1050515-32-16
250	2"-11	1 1/4"-11	42,0	22,5	18,5	39,5	70	A	1050515-32-20
250	2"-11	1 1/2"-11	42,0	22,5	18,5	44,5	70	A	1050515-32-24