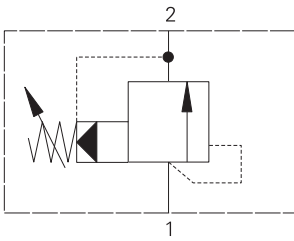


RV5-10 - Relief valve

Spool, pilot operated
 114 L/min (30 USgpm) • 350 bar (5000 psi)



Operation

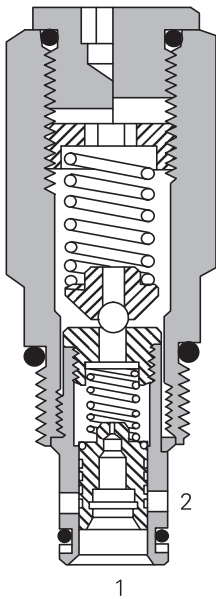
When the inlet pressure exceeds the setting of the valve, the pilot section opens, causing a small flow across the orifice in the main spool.

The subsequent pressure drop moves the spool against a light spring opening a ring of radial holes in the sleeve, allowing relief flow to tank.

Features

High accuracy of pilot operated design. Hardened working parts give long, reliable, trouble-free life. Cartridge construction for installation into your own manifold.

Sectional view



Performance data

Ratings and specifications

Performance data is typical with fluid at 21,8 cSt (105 SUS) and 49° C (120° F)

| | |
|--|---|
| Typical application pressure (all ports) | 350 bar (5000 psi) |
| Cartridge fatigue pressure (infinite life) | 350 bar (5000 psi) |
| Rated flow | 114 L/min (30 USgpm) |
| Internal leakage, port 1 to port 2 | 114 cc/min (7cu in/min @ 350 bar (5000 psi)) |
| Cavity | C-10-2 |
| Standard housing materials | Aluminum or steel |
| Temperature range | -40° to 120°C (-40° to 248°F) |
| Fluids | All general purpose hydraulic fluids such as: MIL-H-5606, SAE 10, SAE 20, etc. |
| Filtration | Cleanliness Code 18/ 16/13 |
| Weight cartridge only | 0,22 kg (0.48 lbs) |
| Seal kits – RV5 | 565803 Buna-N 566086 Viton® |
| – RV5A | 565806 Buna-N 889627 Viton® |

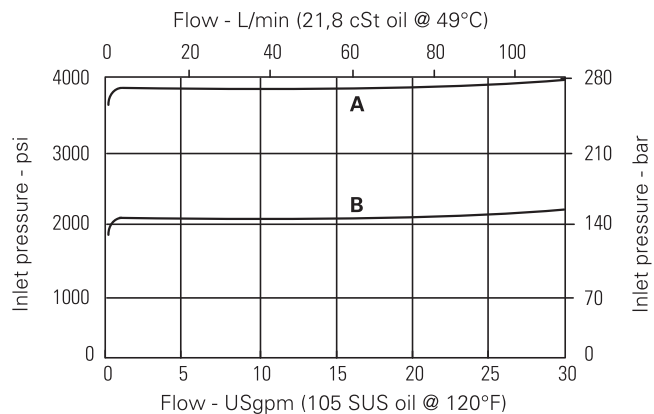
Viton is a registered trademark of E.I. DuPont

Description

To limit pressure in a system. Good for continuous duty and accurate pressure control with constant or varying flows.

Pressure override curves

Cartridge only
 Tank pressure = 0



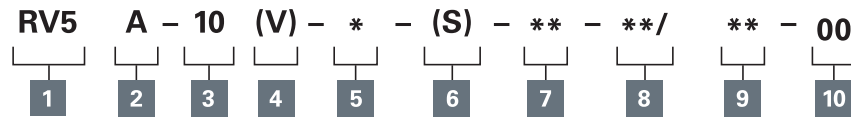
A - 50 spring
B - 20 spring

Where measurements are critical request certified drawings. We reserve the right to change specifications without notice.

RV5-10 - Relief valve

Spool, pilot operated
114 L/min (30 USgpm) • 350 bar (5000 psi)

Model code



1 Function

RV5 - Relief valve

2 Cage seals

Blank - Single back-up ring as shown
A - 1/2 thickness back-up ring on each side of o-ring (for cross port relief applications)

3 Size

Blank - Buna-N

4 Seal material

Blank - Buna-N
V - Viton®

5 Adjustment

C - Cap
F - Factory set
I - Internal
K - Knob
S - Screw

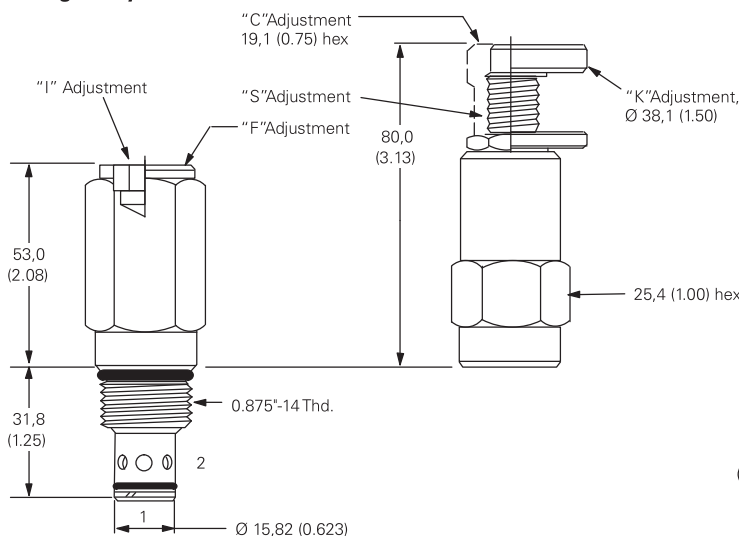
6 Valve housing material

Blank - Aluminum
S - Steel

Dimensions

mm (inch)

Cartridge only



7 Port size

| Code | Port size | Housing number | | |
|-------|----------------|---------------------|------------------------|---------------------|
| | | Aluminum light duty | Aluminum fatigue rated | Steel fatigue rated |
| 0 | Cartridge only | | | |
| 3B | 3/8" BSPP | 02-175462 | - | - |
| 2G | 1/4" BSPP | - | 876702 | 02-175102 |
| 3G | 3/8" BSPP | - | 876703 | 02-175103 |
| 6H | SAE 6 | - | 876700 | - |
| 8H | SAE 8 | - | 876701 | - |
| 6T | SAE 6 | 566151 | - | 02-175100 |
| 8T | SAE 8 | - | - | 02-175101 |
| H10H | SAE 10* | - | 4997062-001 | - |
| 2K10H | SAE 10** | - | 4997060-001 | - |

* Bolt on, dual cross over relief valve package for **Eaton H or T series motors**

** Bolt on, dual cross over relief valve package for **Eaton 2000 series motors**

(Note: Two cartridges are installed in this special housing, both are set to the same crack pressure specified in model Code position 9, maximum allowed setting is 210 bar (3000 psi), only available with RV5A option and aluminum housing.)

See section J for housing details.

8 Cracking pressure range

Note: Code based on pressure in psi.

3 - 3,4-20 bar (50-300 psi)
20 - 7-140 bar (100-2000 psi)
35 - 17-240 bar (250-3500 psi)
50 - 35-350 bar (500-5000 psi)

9 Setting pressure

Within ranges in **8**

Blank - Normal factory setting at approximate mid-range. User requested settings in 3,45 bar (50 psi) steps. Coded as in the following examples:
10 - 70 bar (1000 psi)
10.5 - 72,4 bar (1050 psi)

10 Special features

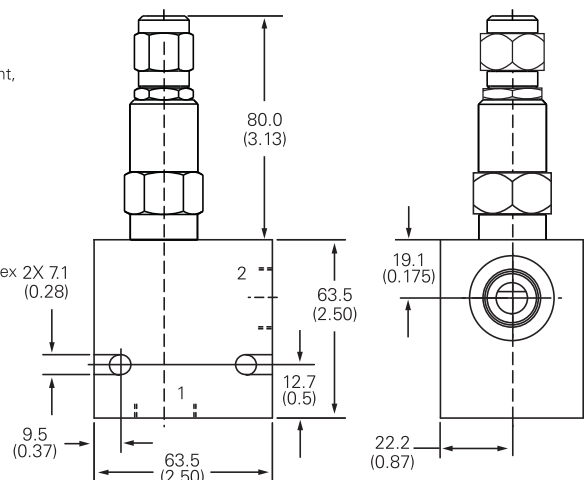
00 - None
(Only required if valve has special features, omitted if "00.")
SS - 316 Stainless Steel external components

Warning

Aluminum housings can be used for pressures up to 210 bar (3000 psi). Steel housings must be used for operating pressures above 210 bar (3000 psi).

Torque cartridge in housing
A - 47-54 Nm (35-40 ft. lbs)
S - 68-75 Nm (50-55 ft. lbs)

Installation drawing (Steel)



Where measurements are critical request certified drawings. We reserve the right to change specifications without notice.