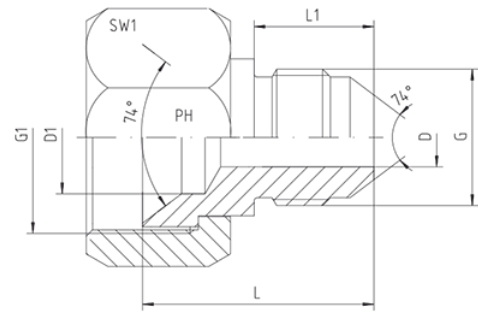
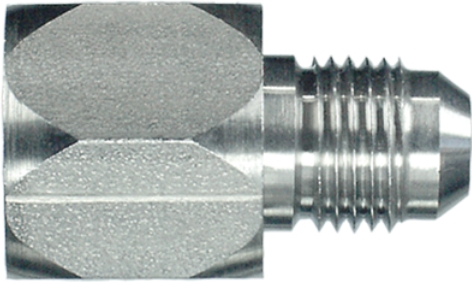


Rubrik 6.9

JIC - Female x JIC - Male - Form B



JIC - Male JIC - Female - Swivel

Pressure	Tube O.D.		Thread		Approx. Dimensions					Form	Order-Code
	PN	mm	in.	G1 = UNF/UN	G = UNF/UN	L	L1	D	D1		
350	6	1/4"	9/16"-18	7/16"-20	26,0	14,0	4,0	7,0	19	B	2252511-06-04
350	6	1/4"	3/4"-16	7/16"-20	26,0	14,0	4,0	9,0	22	B	2252511-08-04
350	8	5/16"	3/4"-16	1/2"-20	26,0	14,0	9,0	6,0	22	B	2252511-08-05
350	10	3/8"	3/4"-16	9/16"-18	26,0	14,0	7,5	9,0	22	B	2252511-08-06
350	6	1/4"	7/8"-14	7/16"-20	28,0	14,0	4,5	11,0	27	B	2252511-10-04
350	10	3/8"	7/8"-14	9/16"-18	28,0	14,0	7,5	11,0	27	B	2252511-10-06
350	6	1/4"	1 1/16"-12	7/16"-20	28,5	14,0	4,0	15,0	32	B	2252511-12-04
350	10	3/8"	1 1/16"-12	9/16"-18	30,4	14,0	7,5	15,0	32	B	2252511-12-06
350	12	1/2"	1 1/16"-12	3/4"-16	33,0	17,0	9,5	15,0	32	B	2252511-12-08
280	6	1/4"	1 5/16"-12	7/16"-20	31,0	14,0	19,0	4,0	41	B	2252511-16-04
280	10	3/8"	1 5/16"-12	9/16"-18	32,0	14,0	7,5	19,0	41	B	2252511-16-06
280	12	1/2"	1 5/16"-12	3/4"-16	35,0	17,0	9,5	19,0	41	B	2252511-16-08
280	14, 15, 16	5/8"	1 5/16"-12	7/8"-14	37,0	19,5	12,0	19,0	41	B	2252511-16-10
280	18, 20	3/4"	1 5/16"-12	1 1/16"-12	40,0	22,0	15,5	19,0	41	B	2252511-16-12
210	12	1/2"	1 5/8"-12	3/4"-16	35,0	16,7	9,5	26,0	50	B	2252511-20-08
210	14, 15, 16	5/8"	1 5/8"-12	7/8"-14	37,3	19,5	26,0	12,0	50	B	2252511-20-10
210	18, 20	3/4"	1 5/8"-12	1 1/16"-12	40,0	22,0	15,0	26,0	50	B	2252511-20-12
210	25	1"	1 5/8"-12	1 5/16"-12	41,0	23,0	21,0	26,0	50	B	2252511-20-16
210	14, 15, 16	5/8"	1 7/8"-12	7/8"-14	41,0	19,3	30,0	12,0	60	B	2252511-24-10
210	18, 20	3/4"	1 7/8"-12	1 1/16"-12	43,6	22,0	15,0	30,0	60	B	2252511-24-12

210	25	1"	1 7/8"-12	1 5/16"-12	45,0	23,0	21,0	30,0	60	B	2252511-24-16
210	28, 30, 32	1 1/4"	1 7/8"-12	1 5/8"-12	62,0	24,3	26,5	32,0	60	B	2252511-24-20