

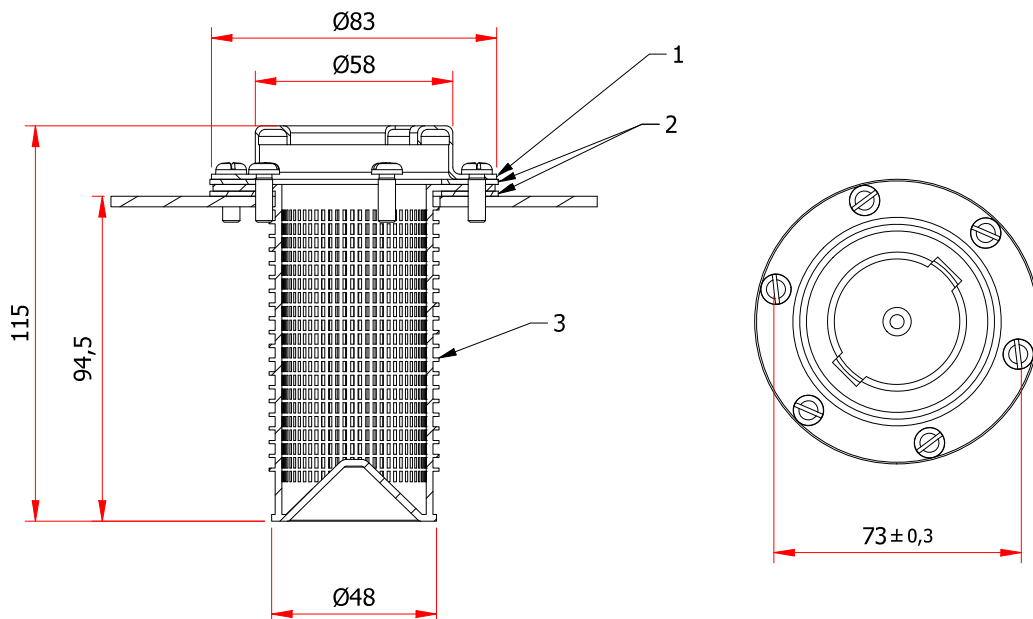
**TMDF/FC/70** - FILLER BREATHERS WITH FILTER, BAYONET CONNECTION AND STRAINER

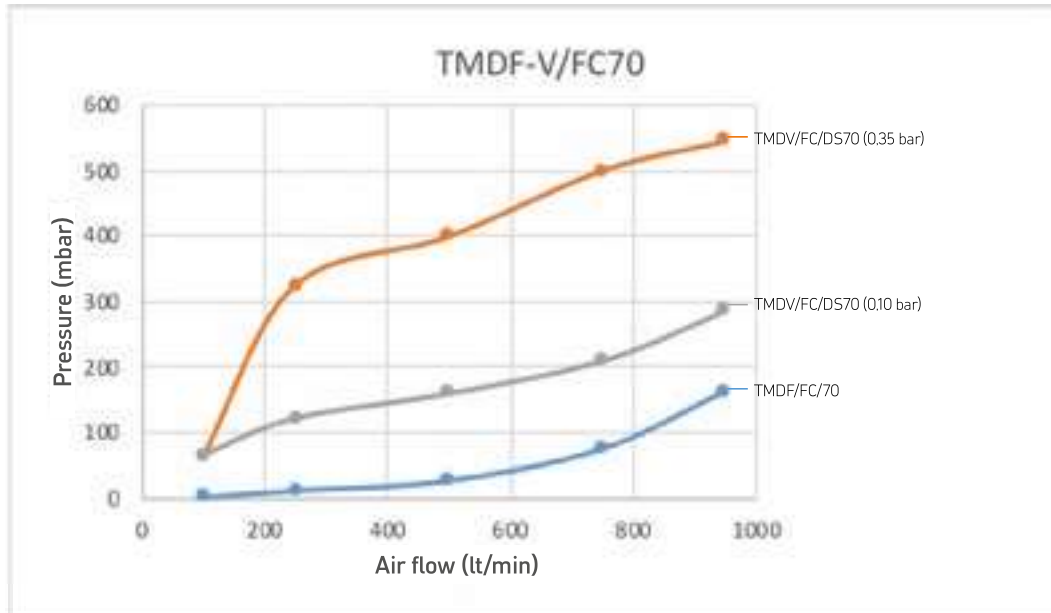
**TMDV/FC/DS70** - PRESSURIZED FILLER BREATHERS, BAYONET CONNECTION AND STRAINER



V1 = Safety valve  
V2 = Suction valve  
1 = Air filter

plastic breathers





-Round headed filler breather with vertical ribs for better grip, bayonet connection, safety chain and zinc plated steel flange with filtering basket.

-Model TMDV/FC/70: black body, red lid with graphic symbol "FILL OIL" symbol.

-Model TMDV/FC/DS70: black body, black lid with graphic symbol "double valve" symbol.

-Manufactured from Polyamide 66 ensuring high mechanical resistance at both low and high temperatures (max working temperature **100°C/212 °F**).

-The polyurethane air filter is located under the lid, easy to remove, clean and reinstall.

-Strainer basket made from Polypropilene (PP) black color; flat flange gasket made from cork.

-Hardware include six zinc-plated steel screw for

assembling.

-Inside the model TMDV/FC/DS70 is fitted a plastic safety device with a double-valve system: safety valve set at around 0.35bar/5 PSI, suction valve set at around 0.05 bar/ 0.72 PSI. This model is used on hydraulic applications where the airflow needs to be controlled in both directions, externally when internal overpressure is created, internally when, decreasing the fluid level, the vacuum is created.

- **Airflow capacity:** up to **750 Lt/min** (see graphic).

-The air filter protect the reservoir from dirt ingress and the safety valve protect from oil spillage in mobile or semi-mobile hydraulic applications.

-Possibility to supply the breather cap only (bayonet style connection) without flange and strainer.