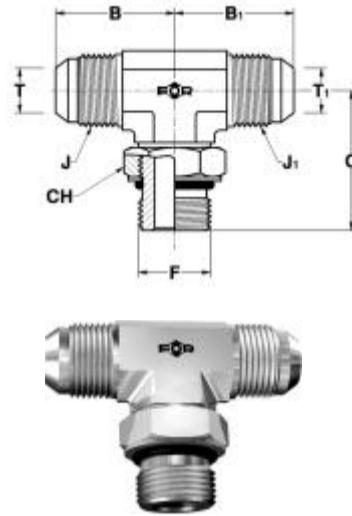


37° - FLARED TUBE CONNECTORS

111122

Branch (ADJ) tee male JIC - male Metric with O.R. ISO 6149 ports



T		T ₁		RIFERIMENTO REFERENCE	J	J ₁	F	B	B ₁	C	CH
MM.	IN.	MM.	IN.								
6	1/4	6	1/4	A111122-0610	7/16-20 UNF-2A	7/16-20 UNF-2A	M10x1-6g	22,5	22,5	27,5	14
6	1/4	6	1/4	A111122-0612	7/16-20 UNF-2A	7/16-20 UNF-2A	M12x1,5-6g	27	27	31,5	17
8	5/16	8	5/16	A111122-0810	1/2-20 UNF-2A	1/2-20 UNF-2A	M10x1-6g	24	24	27,5	14
8	5/16	8	5/16	A111122-0812	1/2-20 UNF-2A	1/2-20 UNF-2A	M12x1,5-6g	27	27	31,5	17
8	5/16	8	5/16	A111122-0814	1/2-20 UNF-2A	1/2-20 UNF-2A	M14x1,5-6g	27	27	32,5	19
10	3/8	10	3/8	A111122-1014	9/16-18 UNF-2A	9/16-18 UNF-2A	M14x1,5-6g	27	27	32,5	19
10	3/8	10	3/8	A111122-1016	9/16-18 UNF-2A	9/16-18 UNF-2A	M16x1,5-6g	28,5	28,5	36,5	22
12	1/2	12	1/2	A111122-1216	3/4-16 UNF-2A	3/4-16 UNF-2A	M16x1,5-6g	31,5	31,5	36,5	22
12	1/2	12	1/2	A111122-1218	3/4-16 UNF-2A	3/4-16 UNF-2A	M18x1,5-6g	31,5	31,5	39,5	24
14÷16	5/8	14÷16	5/8	A111122-1618	7/8-14 UNF-2A	7/8-14 UNF-2A	M18x1,5-6g	36,5	36,5	42	24
14÷16	5/8	14÷16	5/8	A111122-1622	7/8-14 UNF-2A	7/8-14 UNF-2A	M22x1,5-6g	36,5	36,5	43	27
18-20	3/4	18-20	3/4	A111122-2022	1"1/16-12 UN-2A	1"1/16-12 UN-2A	M22x1,5-6g	42	42	45,5	27
18-20	3/4	18-20	3/4	A111122-2027	1"1/16-12 UN-2A	1"1/16-12 UN-2A	M27x2-6g	42	42	51,5	32
25	1"	25	1"	A111122-2527	1"5/16-12 UN-2A	1"5/16-12 UN-2A	M27x2-6g	46	46	55	32
25	1"	25	1"	A111122-2533	1"5/16-12 UN-2A	1"5/16-12 UN-2A	M33x2-6g	46	46	55	41
30-32	1"1/4	30-32	1"1/4	A111122-3242	1"5/8-12 UN-2A	1"5/8-12 UN-2A	M42x2-6g	52	52	60	50
38	1"1/2	38	1"1/2	A111122-3848	1"7/8-12 UN-2A	1"7/8-12 UN-2A	M48x2-6g	59	59	67	55
12	1/2	14÷16	5/8	SA111122-121618	3/4-16 UNF-2A	7/8-14 UNF-2A	M18x1,5-6g	33,5	36,5	42	24

FOR S.P.A. - NORME E DIMENSIONI SOGGETTE A MODIFICHE SENZA PREAVVISO.

FOR S.P.A. - DESIGN DETAILS AND SPECIFICATIONS SUBJECT TO CHANGE WITHOUT PRIOR NOTICE.