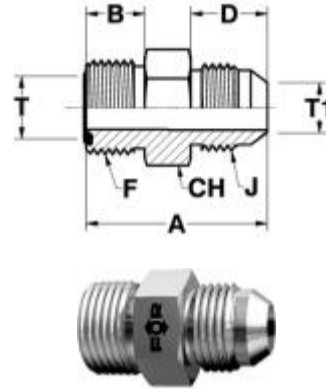


CONNECTORS O-RING FACE SEAL

502102

Union male ORFS - male JIC



T		RIFERIMENTO REFERENCE	F	J	A	B	D	CH
MM.	IN.							
6	1/4	A502102-0606	9/16-18 UNF-2A	7/16-20 UNF-2A	31,5	10	14	16
8-10	5/16-3/8	A502102-1010	11/16-16 UN-2A	9/16-18 UNF-2A	34	11	14	19
12	1/2	A502102-1212	13/16-16 UN-2A	3/4-16 UNF-2A	39,5	13	17	22
14÷16	5/8	A502102-1616	1"-14 UNS-2A	7/8-14 UNF-2A	46,5	15,5	19,5	27
18-20	3/4	A502102-2020	1"3/16-12 UN-2A	1"1/16-12 UN-2A	52	17	22	32
22-25	7/8-1"	A502102-2525	1"7/16-12 UN-2A	1"5/16-12 UN-2A	54,5	17,5	23	38
28÷32	1"1/4	A502102-3232	1"11/16-12 UN-2A	1"5/8-12 UN-2A	58	17,5	24,5	46
35-38	1"1/2	A502102-3838	2"-12 UN-2A	1"7/8-12 UN-2A	63	17,5	27,5	55
8-10	5/16-3/8	SA502102-1012	11/16-16 UN-2A	3/4-16 UNF-2A	38	11	17	22
12	1/2	SA502102-1210	13/16-16 UN-2A	9/16-18 UNF-2A	37	13	14	22
12	1/2	SA502102-1216	13/16-16 UN-2A	7/8-14 UNF-2A	42,5	16	19,5	24
14÷16	5/8	SA502102-1610	1"-14 UNS-2A	9/16-18 UNF-2A	40	15,5	14	27
14÷16	5/8	SA502102-1612	1"-14 UNS-2A	3/4-16 UNF-2A	43,5	15,5	17	27
18-20	3/4	SA502102-2016	1"3/16-12 UN-2A	7/8-14 UNF-2A	49,5	17	19,5	32
18-20	3/4	SA502102-2025	1"3/16-12 UN-2A	1"5/16-12 UN-2A	54	17	23	38
22-25	7/8-1"	SA502102-2516	1"7/16-12 UN-2A	7/8-14 UNF-2A	51	17,5	19,5	38
22-25	7/8-1"	SA502102-2520	1"7/16-12 UN-2A	1"1/16-12 UN-2A	53	17,5	22	38

FOR S.P.A. - NORME E DIMENSIONI SOGGETTE A MODIFICHE SENZA PREAVVISO.

FOR S.P.A. - DESIGN DETAILS AND SPECIFICATIONS SUBJECT TO CHANGE WITHOUT PRIOR NOTICE.