

## Relief Valves

### RV5-16

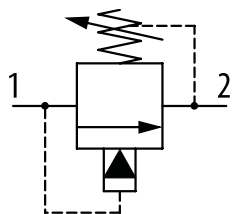
Relief valve, Pilot operated, Spool Type

350 bar [5000 psi] • 300 l/min [80 US gpm]

#### DESCRIPTION AND OPERATION

This is a pilot operated, spool type relief valve that relieves from port 1 to port 2. It can be used to limit pressure in a system while maintaining accurate pressure control with constant or varying flows.

#### SCHEMATIC

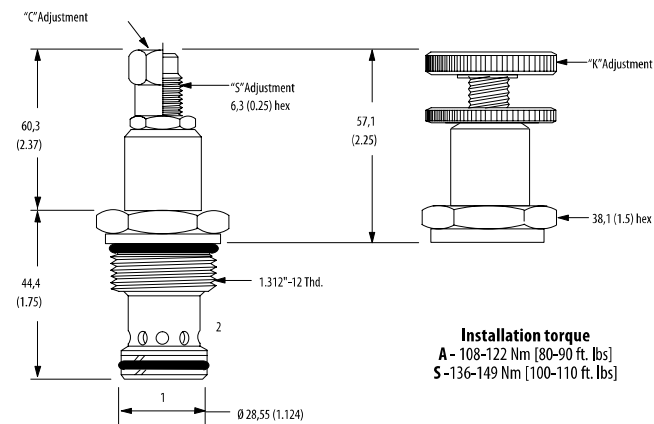


#### PERFORMANCE DATA

Rated pressure	350 bar [5000 psi]
Rated flow	300 l/min [80 US gpm]
Leakage	164 ml/min [10 l <sup>3</sup> /min] @ 350 bar [5000 psi]
Weight	0.71 kg [1.57 lb]
Cavity	SDC16-2

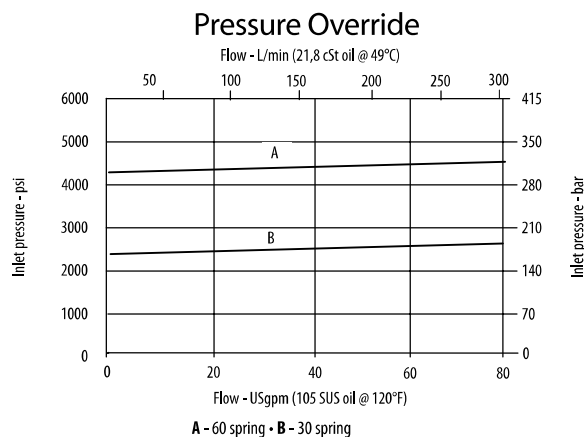
#### DIMENSIONS

mm [in]



**Installation torque**  
 A - 108-122 Nm [80-90 ft. lbs]  
 S - 136-149 Nm [100-110 ft. lbs]

#### PERFORMANCE CURVES



#### MODEL CODE

**RV5 - 16 - V - S - S - 4G - 30 - 10**

##### Seal Option

Code	Seal Kit
Omit-Buna - N	889631
V-Viton	889635

##### Adjustment Option

S - External  
 C - Tamper Resistant  
 K - Knob

##### Housing Material

Omit - Aluminum/No housing  
 S - Steel

##### Housing

Code	Ports	Housing Model Code		
		Aluminum Standard Duty	Aluminum Heavy Duty	Steel Heavy Duty
0	No Housing			
6B	3/4" BSP	02-175463	-	-
4G	1/2" BSP	-	876716	02-175106
6G	3/4" BSP	-	876718	02-175107
10H	#10 SAE	-	876717	-
12H	#12 SAE	-	566113	-
10T	#10 SAE	-	-	02-175104
12T	#12 SAE	566149	-	02-175105

##### Pressure Setting

Code x100 - Pressure setting in psi (50 psi increments within specified Pressure Range)  
 XXX - Standard setting (see Pressure Range for value)  
 Examples:

Code	Bar	Psi
10	69	[1000]
10.5	72.4	[1050]

##### Pressure Range

Code	Bar	Psi
30	34-210	[500-3000]
Standard Setting	103	[1500]
60	69-415	[1000-6000]
Standard Setting	210	[3000]

\* Aluminum bodies are to be used for pressures less than 210 bar [3000 psi].

\* Additional housings available