

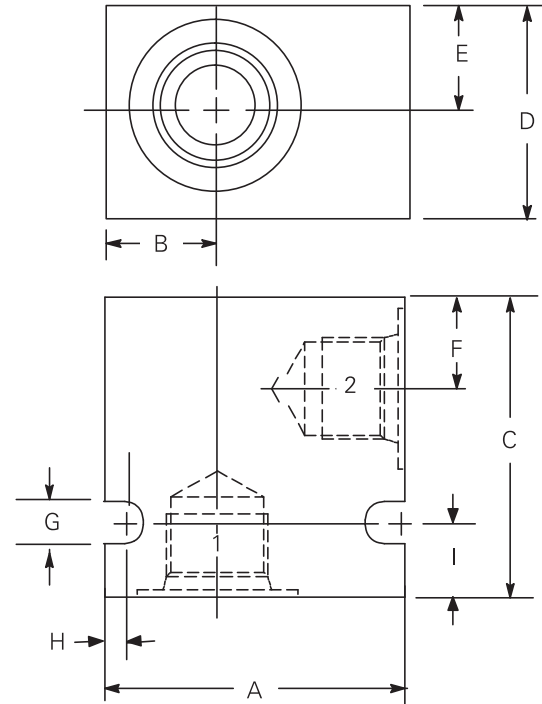
C-**-2

Aluminum housings (light duty)

Housing	Ports 1 & 2	Part number	Code
C-10-2	3/8" BSPP SAE 6	02-175462 566151	(A)3B (A)6T
C-16-2	3/4" BSPP SAE 12	02-175463 566149	(A)6B (A)12T
C-20-2	1" BSPP SAE 16	02-175464 566409	(A)8B (A)16T

Notes: BSPP porting is designated by "B" in the model code SAE porting is designated by "T" in the model code.

Light duty aluminum housings are intended for applications up to 210 bar (3000 psi) with light to moderate duty cycles.



Dimensions	A	B	C	D	E	F	G	H	I	Mass
mm (inch)										kg (lb)
C-10-2	50,8 (2.00)	19,0 (0.75)	50,8 (2.00)	31,7 (1.25)	15,9 (0.62)	19,0 (0.75)	7,1 (0.28)	3,1 (0.12)	12,7 (0.50)	0,1 (0.35)
C-16-2	76,2 (3.00)	28,5 (1.12)	76,2 (3.00)	47,6 (1.87)	23,8 (0.94)	25,4 (1.00)	8,6 (0.34)	4,0 (0.16)	19,0 (0.75)	0,5 (1.21)
C-20-2	88,9 (3.50)	34,3 (1.35)	88,9 (3.50)	68,5 (2.70)	34,3 (1.35)	36,8 (1.45)	8,6 (0.34)	4,0 (0.16)	21,6 (0.85)	0,8 (1.90)

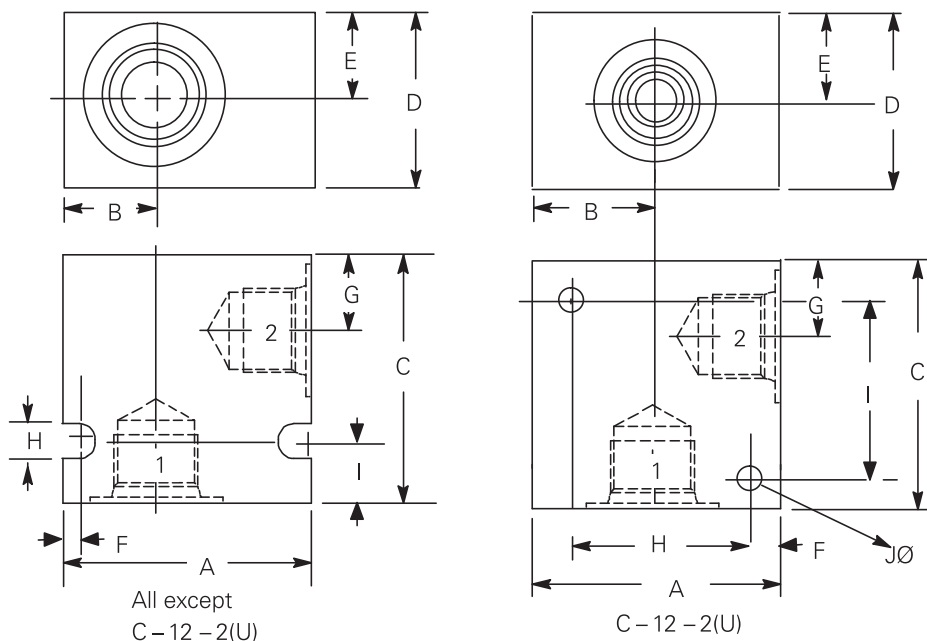
Where measurements are critical request certified drawings. We reserve the right to change specifications without notice.

Housing	Ports 1 & 2	Part number	Code
C-8-2	1/4" BSPP	02-160727	(A)2G
	3/8" BSPP	02-160728	(A)3G
	SAE 4	02-160730	(A)4H
	SAE 6	02-160731	(A)6H
	SAE 8	02-160732	(A)8H
C-10-2	1/4" BSPP	876702	(A)2G
	3/8" BSPP	876703	(A)3G
	SAE 6	876700	(A)6H
C-12-2	1/2" BSPP	02-161118	(A)4G
	3/4" BSPP	02-161117	(A)6G
	SAE 10	02-160640	(A)10H
	SAE 12	02-160644	(A)12H

Housing	Ports 1 & 2	Part number	Code
C-12-2U	1/2" BSPP	02-161116	(A)4G
	3/4" BSPP	02-161115	(A)6G
	SAE 10	02-160641	(A)10H
	SAE 12	02-160645	(A)12H
C-16-2	1/2" BSPP	876716	(A)4G
	3/4" BSPP	876718	(A)6G
	SAE 10	876717	(A)10H
	SAE 12	566113	(A)12H
C-20-2	3/4" BSPP	876732	(A)6G
	1" BSPP	876734	(A)8G
	SAE 12	876733	(A)12H
	SAE 16	876735	(A)16H

Notes: BSPP porting is designated by "G" in the model code SAE porting is designated by either "H" or "T" in the model code.

Fatigue rated aluminum housings are intended for applications up to 210 bar (3000 psi) with harsh duty cycles. These housings have been fatigue rated to NFPA standards to one million cycles.



Dimensions	A	B	C	D	E	F	G	H	I	J	Mass
mm (inch)											kg (lb)
C-8-2	50,8 (2.00)	19,0 (0.75)	50,8 (2.00)	38,1 (1.50)	19,0 (0.75)	3,4 (0.13)	15,5 (0.61)	7,1 (0.28)	12,7 (0.50)	7,1 (0.28)	0,2 (0.46)
C-10-2	63,5 (2.50)	25,4 (1.00)	63,5 (2.50)	50,8 (2.00)	25,4 (1.00)	9,5 (0.37)	19,1 (0.75)	7,1 (0.28)	19,1 (0.75)	7,1 (0.28)	0,4 (1.00)
C-12-2(U)	88,9 (3.50)	44,5 (1.75)	88,9 (3.50)	50,8 (2.00)	25,4 (1.00)	12,7 (0.50)	28,7 (1.13)	63,5 (2.50)	63,5 (2.50)	10,3 (0.40)	0,8 (1.96)
C-16-2	88,9 (3.50)	34,9 (1.37)	88,9 (3.50)	63,5 (2.50)	31,8 (1.25)	10,3 (0.40)	28,4 (1.11)	8,7 (0.34)	25,4 (1.00)	10,3 (0.40)	1,2 (2.75)
C-20-2	101,6 (4.00)	38,1 (1.50)	101,6 (4.00)	82,5 (3.25)	41,3 (1.62)	10,3 (0.40)	36,0 (1.41)	8,7 (0.34)	25,4 (1.00)	10,3 (0.40)	1,8 (4.00)

Where measurements are critical request certified drawings. We reserve the right to change specifications without notice.

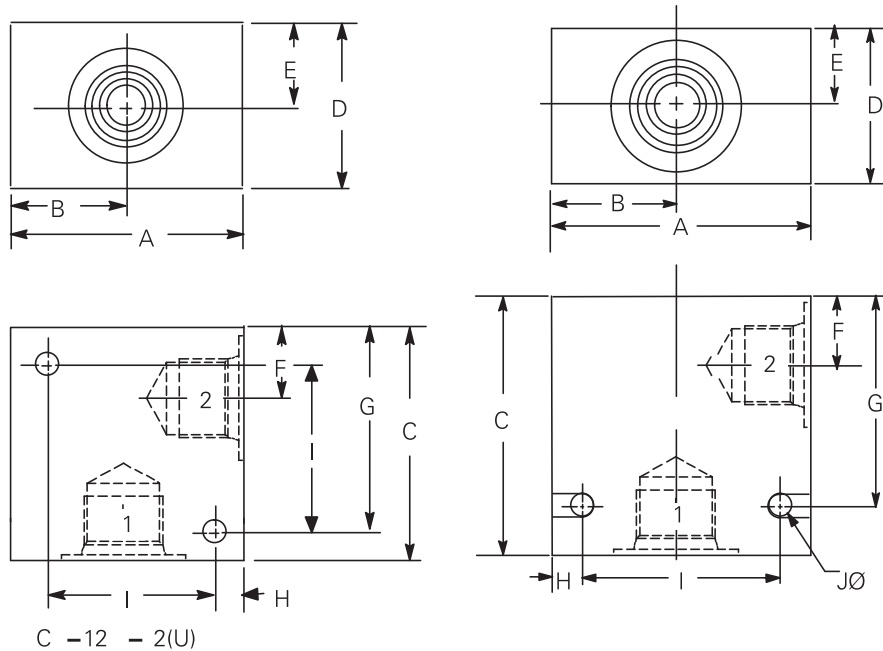
C-**-2

Steel housings (NFPA fatigue rated)

Housing	Ports 1 & 2	Part number	Code	Housing	Ports 1 & 2	Part Number	Code
C-8-2	1/4" BSPP	02-160733	(S)2G	C-12-2U	1/2" BSPP	02-172512	(S)4G
	3/8" BSPP	02-160734	(S)3G		3/4" BSPP	02-162922	(S)6G
	SAE 4	02-160736	(S)4T		SAE 10	02-169817	(S)10T
	SAE 6	02-160737	(S)6T		SAE 12	02-169790	(S)12T
	SAE 8	02-160738	(S)8T				
C-10-2	1/4" BSPP	02-175102	(S)2G	C-16-2	1/2" BSPP	02-175106	(S)4G
	3/8" BSPP	02-175103	(S)3G		3/4" BSPP	02-175107	(S)6G
	SAE 6	02-175100	(S)6T		SAE 10	02-175104	(S)10T
	SAE 8	02-175101	(S)8T		SAE 12	02-175105	(S)12T
C-12-2	1/2" BSPP	02-172062	(S)4G	C-20-2	3/4" BSPP	02-175110	(S)6G
	3/4" BSPP	02-169665	(S)6G		1" BSPP	02-175111	(S)8G
	SAE 10	02-169744	(S)10T		SAE 12	02-175108	(S)12T
	SAE 12	02-169782	(S)12T		SAE 16	02-175109	(S)16T

Notes: BSPP porting is designated by "G" in the model code SAE porting is designated by "T" in the model code.

Fatigue rated steel housings are intended for applications up to 350 bar (5000 psi) with harsh duty cycles. These housings have been fatigue rated to NFPA standards to one million cycles.



Dimensions	A	B	C	D	E	F	G	H	I	J	Mass
mm (inch)											kg (lb)
C-8-2*	50,8 (2.00)	19,0 (0.75)	50,8 (2.00)	38,1 (1.50)	19,1 (0.75)	15,5 (0.61)	38,1 (1.50)	3,3 (0.13)	44,0 (1.73)	7,1 (0.28)	0,5 (1.19)
C-10-2	63,5 (2.50)	25,4 (1.00)	63,5 (2.50)	44,4 (1.75)	22,2 (0.87)	19,0 (0.75)	50,8 (2.00)	9,5 (0.37)	44,4 (1.75)	7,1 (0.28)	0,3 (0.83)
C-12-2(U)	88,9 (3.50)	44,5 (1.75)	88,9 (3.50)	50,8 (2.00)	25,4 (1.00)	28,7 (1.13)	76,2 (3.00)	12,7 (0.50)	63,5 (2.50)	10,3 (0.40)	1,9 (4.28)
C-16-2	88,9 (3.50)	38,1 (1.75)	76,2 (3.00)	50,8 (2.00)	25,4 (1.00)	25,4 (1.00)	63,5 (2.50)	12,7 (0.50)	63,5 (2.50)	10,3 (0.40)	2,2 (5.00)
C-20-2	101,6 (4.00)	40,6 (1.50)	88,9 (3.50)	63,5 (2.50)	31,7 (1.25)	31,7 (1.25)	76,2 (3.00)	12,7 (0.50)	76,2 (3.00)	10,3 (0.40)	3,6 (7.96)

* 8 series housing utilize a slot instead of a mounting hole.

Where measurements are critical request certified drawings. We reserve the right to change specifications without notice.