

Digital Pressure Gauge - Type SPG-DIGI / SPG-DIGI-USB (Data Logger)

A

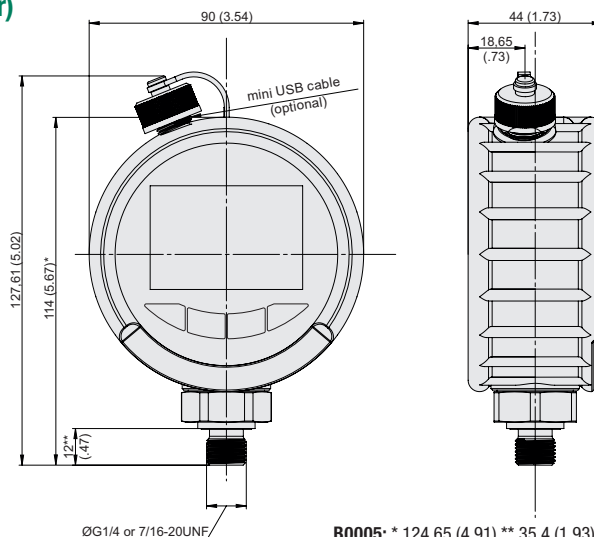
With Data Logger and USB Interface



SPG-DIGI



SPG-DIGI-USB



B0005: * 124,65 (4.91) ** 35,4 (1.93)

Product Description

The STAUFF SPG-DIGI digital pressure gauges are designed for digital measurement and display of pressure in hydraulic systems, especially for oils, lubricants and water. Current measured values as well as min and max values can be displayed with a precision of 0.5% of the full scale value.

The SPG-DIGI is optionally available in the USB version, equipped with an internal data memory. A measurement started on the measuring device is automatically stored in the internal data memory in the universal .csv file format. The measurement data can then be transferred to the PC using the supplied mini USB cable. The device shows up on the PC as a USB data storage medium, so that no additional software is required for transferring the data. This allows easy export of the data, e.g. into Microsoft Excel®.

The measurement data are stored in the internal memory with a resolution of up to 100 ms for short measurements and a pressure peak monitoring of 10 ms. Up to ten measurement series can be stored in the device. The maximum measurement duration for each measurement is 24 h.

The STAUFF SPG-DIGI digital pressure gauges are available individually or as part of a complete pressure test kit. They are very robust, reliable, easy to operate and bear a CE mark.

Features

- Bar graph display (drag pointer)
- Backlit display
- Zero point correction
- Battery status indicator
- Gauge ability to swivel 360°

Technical Data (for SPG-DIGI-USB)

- Internal memory: 10 measurement series
- Measurement data lengths: max. 24 h
- Memory interval: up to 100 ms (increases with duration of measurement)
- Pressure peak detection min/max: 10 ms
- Date type: Date / time / pressure value / min. pressure / max. pressure
- Data format: CSV

A USB connecting cable is supplied as a standard.

Order Codes



① Series and Type

Digital Pressure Gauge	SPG-DIGI
Digital Pressure Gauge USB	SPG-DIGI-USB

② Pressure Ranges

-1 ... 5 bar / -14.5 ... 72 PSI	B0005
-1 ... 16 bar / -14.5 ... 232 PSI	B0016
0 ... 100 bar / 0 ... 1450 PSI	B0100
0 ... 400 bar / 0 ... 5801 PSI	B0400
0 ... 600 bar / 0 ... 8702 PSI	B0600
0 ... 1000 bar / 0 ... 14504 PSI	B1000

③ Process Connection

G1/4	B
7/16-20 UNF	U

④ Calibration

without calibration certificate	(none)
with calibration certificate	CAL

Pressure Ranges

Version	Pressure Range (bar/PSI)	Maximum Pressure (bar/PSI)	Burst Pressure (bar/PSI)
B0005	-1 ... 5	30	50
	-14.5 ... 72	435	725
B0016	-1 ... 16	32	160
	-14.5 ... 232	464	2321
B0100	0 ... 100	200	800
	0 ... 1450	2900	11603
B0400	0 ... 400	800	1700
	0 ... 5801	11603	24656
B0600	0 ... 600	1200	2400
	0 ... 8702	17404	31908
B1000	0 ... 1000	1500	2500
	0 ... 14504	21756	36259

Technical Data

Materials

- Housing made of die-cast Zinc with TPE
- Wetted parts: Stainless Steel 1.4404, NBR (Buna-N®), ceramics
- Seals: NBR (Buna-N®) FKM (Viton®) or EPDM on request

Weight

- Max. weight: 360 g / .79 lbs

Display

- Text display 4 1/2 digits
- Size: 50 x 34 mm / 1.97 x 1.34 in
- Actual value display: 15 mm / .59 in
- MIN/MAX or FS* display: 8 mm / .31 in
- Units: bar, PSI, Mpa (not for 5 bar and 16 bar), kPa (not for 1000 bar), mbar (only for 5 bar and 16 bar)
- Pressure peak measurement with 10 ms sampling rate
- Illuminated measured value display

Accuracy

- ±0.25% FS* typ. / ±0.5% FS* max.

Permissible Temperature ranges

- Ambient temp.: -10 °C ... +50 °C / +14 °F ... +122 °F
- Media temp.: -20 °C ... +80 °C / -4 °F ... +176 °F
- Storage temp.: -20 °C ... +60 °C / -4 °F ... +140 °F
- Relative humidity: < 85%
- Battery life: SPG-DIGI: max. 1500 hours
SPG-DIGI-USB: max. 600 hours

(operation without illumination, 2 x 1.5 V DC AA (LR6-AA) alkaline)

Process Connections

- G1/4 or 7/16-20 UNF, Stainless Steel 1.4404
- Vibration: IEC 60068-2-6 / 10 ... 500 Hz / 5 g
- Shock: IEC 60068-2-27 / 11 ms / 25 g
- Load change (10³): 100

Protection Rating

- IP 65: Dust-tight and protected against water jets (SPG-DIGI-USB: IP65 only with cover installed)

* FS = Full Scale