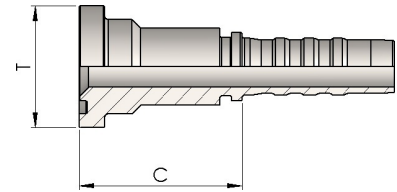


## 1250N

### Straight SAE Flange 3000 PSI

(SFL)

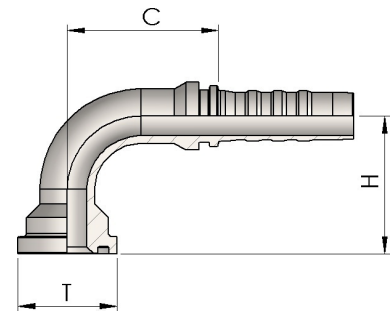


Product number	hose I.D.		Dimension			
	in	mm	dash size	T Flange	mm	Cut-off C
1250N08-08	1/2	12.7	08	1/2	30,2	48
1250N12-12	3/4	19	12	3/4	38.1	54
1250N12-16	3/4	19	12	1	44.5	55
1250N16-16	1	25.4	16	1	44.5	56
1250N16-20	1	25.4	16	1.1/4	50.8	59
1250N20-20	1.1/4	31.8	20	1.1/4	50.8	62
1250N20-24	1.1/4	31.8	20	1.1/2	60.3	65
1250N24-24	1.1/2	38.1	24	1.1/2	60.3	67
1250N24-32	1.1/2	38.1	24	2	71.4	72

## 1050N

### 90° SAE Flange 3000 PSI

(SFL 90°)



Product number	hose I.D.		Dimension				
	in	mm	dash size	T Flange	mm	drop H	Cut-off C
1050N08-08	1/2	12.7	08	1/2	30,2	39	40
1050N12-12	3/4	19	12	3/4	38.1	53	58
1050N12-16	3/4	19	12	1	44.5	58	58
1050N16-16	1	25.4	16	1	44.5	65	72
1050N16-20	1	25.4	16	1.1/4	50.8	70	72
1050N20-20	1.1/4	31.8	20	1.1/4	50.8	82	97
1050N20-24	1.1/4	31.8	20	1.1/2	60.3	85	96
1050N24-24	1.1/2	38.1	24	1.1/2	60.3	96	115