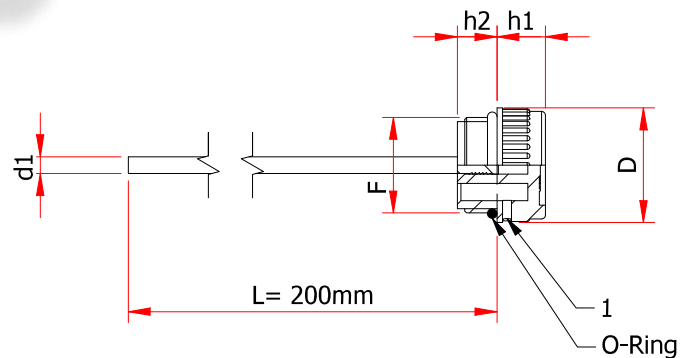


TCAZ - KNURLED PLUGS WITH DIPSTICK

TCASZ - KNURLED PLUGS WITH DIPSTICK AND BREATHER HOLE



1 = Vent hole

plastic closing plugs

-Knurled threaded oil fill plugs with dipstick made from thermoplastic material (Polyamide 66) ensuring high mechanical resistance at both low and high temperatures, dimensional stability and shocks resistance.

-Operating temperature: **-30°C/-22°F +100°C/212°F.**

-O-Ring seal NBR 70 Shore.

-TCAZ and TCASZ style have the fill graphic symbol and the word OIL moulded on the top; the model TCAS has a

breather hole located on the side of the hex with a diameter from 2 to 3.5 mm depending on the plug size.

-Steel level dipstick with zinc phosphated surface (cylindrical section), standard length mm.200; on quantities of at least 250 pcs they can be manufactured to the customers specific length and MIN-MAX notches can be placed in the desired position.

	Code	F	D	h2	h1	d1
TCAZ/14	TCASZ/14	G 1/4"	20	9	9	4
TCAZ/38	TCASZ/38	G 3/8"	20,5	10	9	4
TCAZ/12	TCASZ/12	G 1/2"	28	10,5	10,5	4
TCAZ/34	TCASZ/34	G 3/4"	31	11	12	5
TCAZ/1	TCASZ/1	G 1"	39	12	12	5
TCAZ/114	TCASZ/114	G 1 1/4"	49	13,5	13	5
TCAZ/2	TCASZ/2	G 2"	68,5	16	15	5
TCAZ/14.15	TCASZ/14.15	M 14x1,5	20	9	9	4
TCAZ/16.15	TCASZ/16.15	M 16x1,5	20	10	9	4
TCAZ/18.15	TCASZ/18.15	M 18x1,5	28	10	10,5	4
TCAZ/20.15	TCASZ/20.15	M 20x1,5	28	10	10,5	4
TCAZ/22.15	TCASZ/22.15	M 22x1,5	28	11	10,5	4