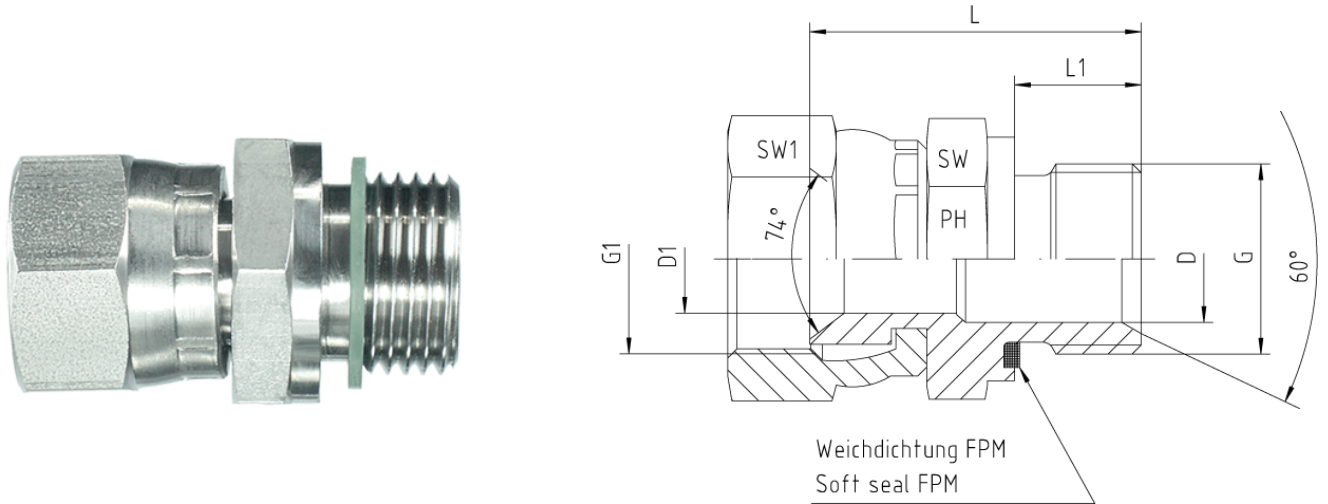


Rubrik 6.28

JIC - Female x BSP - Male



BSP - Male With Captive Soft Seal JIC - Female - Swivel

Pressure	Tube O.D.		Thread		Approx. Dimensions						Order-Code
	mm	in.	G1 = UNF/UN	G = BSP	L	L1	D	D1	SW1	SW	
350	6	1/4"	7/16"-20	1/8"-28	25,0	8,0	4,5	4,5	17	14	2052511-04-02
350	6	1/4"	7/16"-20	1/4"-18	29,0	12,0	4,5	4,5	17	19	2052511-04-04
350	6	1/4"	7/16"-20	3/8"-18	30,5	12,0	7,0	4,5	17	22	2052511-04-06
350	8	5/16"	1/2"-20	1/8"-28	25,0	8,0	4,5	4,5	17	14	2052511-05-02
350	8	5/16"	1/2"-20	1/4"-18	29,5	12,0	5,0	5,0	17	19	2052511-05-04
350	8	5/16"	1/2"-20	3/8"-18	30,5	12,0	7,0	5,0	17	22	2052511-05-06
350	10	3/8"	9/16"-18	1/8"-28	26,0	8,0	4,5	4,5	19	14	2052511-06-02
350	10	3/8"	9/16"-18	1/4"-18	30,0	12,0	6,0	6,0	19	19	2052511-06-04
350	10	3/8"	9/16"-18	3/8"-18	30,0	12,0	7,0	7,0	19	22	2052511-06-06
350	10	3/8"	9/16"-18	1/2"-14	34,0	14,0	12,5	7,0	19	27	2052511-06-08
350	12	1/2"	3/4"-16	1/4"-18	31,0	12,0	6,0	9,0	24	19	2052511-08-04
350	12	1/2"	3/4"-16	3/8"-18	33,5	12,0	9,0	9,0	24	22	2052511-08-06
350	12	1/2"	3/4"-16	1/2"-14	36,0	14,0	10,0	10,0	24	27	2052511-08-08
350	12	1/2"	3/4"-16	3/4"-14	39,0	16,0	15,0	10,0	24	32	2052511-08-12
350	14, 15, 16	5/8"	7/8"-14	3/8"-18	34,0	12,0	9,0	12,5	27	22	2052511-10-06
350	14, 15, 16	5/8"	7/8"-14	1/2"-14	34,0	14,0	12,5	12,5	27	27	2052511-10-08
350	14, 15, 16	5/8"	7/8"-14	5/8"-14	37,5	16,0	14,5	12,0	27	30	2052511-10-10
350	14, 15, 16	5/8"	7/8"-14	3/4"-14	41,0	16,0	15,0	12,5	27	32	2052511-10-12
350	18, 20	3/4"	1 1/16"-12	3/8"-18	34,0	12,0	9,0	9,0	32	27	2052511-12-06
350	18, 20	3/4"	1 1/16"-12	1/2"-14	38,0	14,0	12,5	12,5	32	27	2052511-12-08

350	18, 20	3/4"	1 1/16"-12	3/4"-14	40,0	16,0	15,0	15,0	32	32	2052511-12-12
350	18, 20	3/4"	1 1/16"-12	1"-11	42,5	18,0	21,0	15,0	32	41	2052511-12-16
280	25	1"	1 5/16"-12	1/2"-14	40,5	14,0	12,5	21,0	41	32	2052511-16-08
280	25	1"	1 5/16"-12	3/4"-14	46,5	16,0	15,0	20,0	41	32	2052511-16-12
280	25	1"	1 5/16"-12	1"-11	45,0	18,0	21,0	21,0	41	41	2052511-16-16
210	25	1"	1 5/16"-12	1 1/4"-11	48,0	20,0	29,0	21,0	41	50	2052511-16-20
210	28, 30, 32	1 1/4"	1 5/8"-12	1"-11	50,0	18,0	22,0	22,0	50	41	2052511-20-16
210	28, 30, 32	1 1/4"	1 5/8"-12	1 1/4"-11	53,0	20,0	27,5	27,5	50	50	2052511-20-20
210	35, 38	1 1/2"	1 7/8"-12	1 1/4"-11	55,0	20,0	29,0	29,0	55	50	2052511-24-20
210	35, 38	1 1/2"	1 7/8"-12	1 1/2"-11	59,0	22,0	33,0	33,0	55	55	2052511-24-24