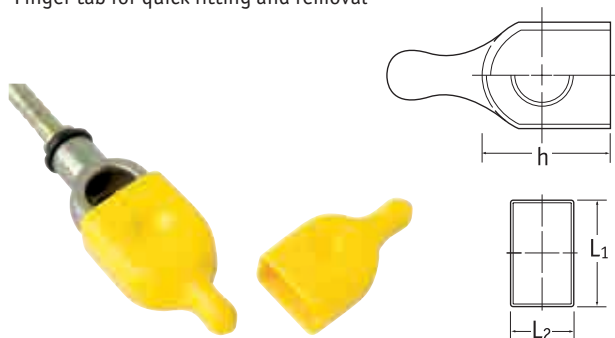


Banjo Union Caps

SR 1071

Yellow Flexible PVC

- Snug fitting protects against dirt ingress
- Flexible, for easy fitting
- Fits hydraulic banjo unions to DIN 7642 B/E
- Finger tab for quick fitting and removal



Part Number	Pipe Outside Diameter (mm)	Dimensions (mm)			Standard Pack Quantity
		L1	L2	h	
BCWJ-08	4.0/5.0	14.0	8.0	15.0	5000
BCWJ-10	6.0	17.0	10.0	20.0	2500
BCWJ-12	8.0	20.0	12.0	25.0	2500
BCWJ-14	10.0	24.0	14.0	30.0	1250

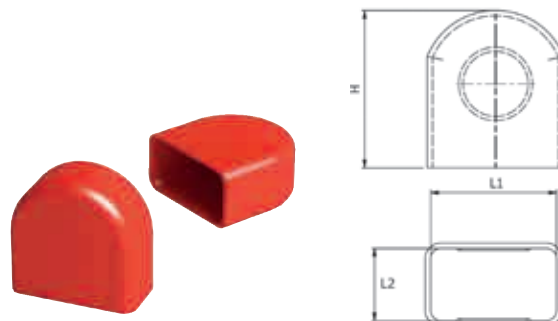
Protection Caps for Banjo Connections

SR F-0005

HDPE Red



- External assembly cover during transportation and storage of banjo connectors
- Temperature: Min. -30°C, Max. +80°C



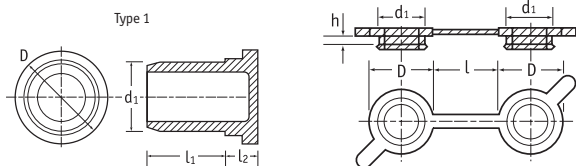
Part Number	Dimensions (mm)			Standard Pack Quantity
	H	L1	L2	
3770800	19.0	17.0	9.8	1000
3770900	22.0	20.0	11.9	1000
3771000	26.0	24.0	13.8	500
3772000	30.0	28.0	15.9	500
3773000	35.0	32.0	19.9	250
3775000	45.5	39.0	24.9	150
3776500	45.0	43.0	27.9	100

Banjo Union Plugs

SR 1016

Natural LDPE

- Prevent ingress of dirt and moisture
- Fit banjo unions DIN 7642 B/E



Type 1

Part Number	Pipe Outside Diameter (mm)	Dimensions (mm)				Standard Pack Quantity
		d1	L1	L2	D	
12863	8.0	12.3	18.0	6.5	18.9	5000
12864	10.0	14.3	20.0	6.5	19.8	5000

Type 2

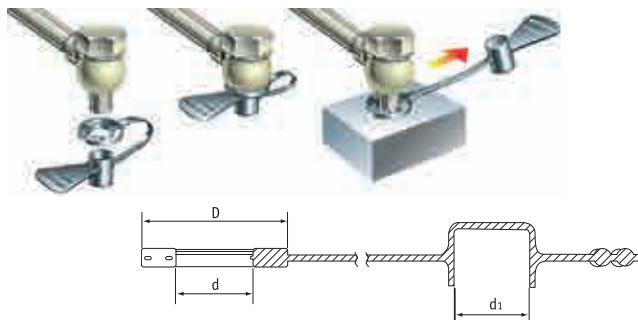
Part Number	Pipe Outside Diameter (mm)	Dimensions (mm)				Standard Pack Quantity
		d1	D	h	L	
10196	8.0	12.0	19.0	4.5	20.0	5000

Banjo Bolt Caps

SR 1083

Black LDPE

- Protection cap and retaining washer in one unit
- Secure components during assembly, storage and shipment
- Protect against damage and dirt ingress
- Easy to grip, even when wearing gloves



Part Number	For Banjo Bolt Diameter (mm)	Dimensions (mm)			Standard Pack Quantity
		d	D	d1	
110486*	M8	8.3	16.5	7.8	50.0
110487	M10	10.3	22.0	9.6	50.0
110488	M12	12.3	24.0	11.6	50.0
110489	M14	14.3	26.0	13.6	50.0
110835	M16	16.3	28.0	15.5	50.0

*Supplied with bridged retaining loop.