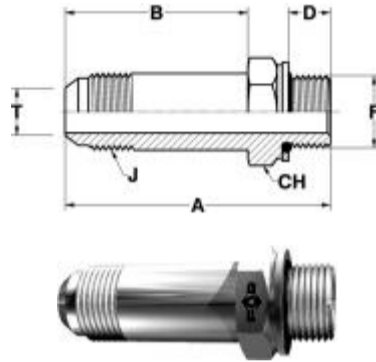


37° - FLARED TUBE CONNECTORS

104025

Long connector male JIC - male BSPP with O.R. and retaining ring ISO 1179 ports



T		RIFERIMENTO REFERENCE	J	F	A	B	D	CH
MM.	IN.							
6	1/4	A104025-0610	7/16-20 UNF-2A	G1/8-28 A GAS	50	35	7	14
6	1/4	A104025-0613	7/16-20 UNF-2A	G1/4-19 A GAS	55,5	35	10	19
6	1/4	A104025-0617	7/16-20 UNF-2A	G3/8-19 A GAS	55,5	35	10	24
6	1/4	A104025-0621	7/16-20 UNF-2A	G1/2-14 A GAS	59	35	12	27
8	5/16	A104025-0810	1/2-20 UNF-2A	G1/8-28 A GAS	52	37	7	14
8	5/16	A104025-0813	1/2-20 UNF-2A	G1/4-19 A GAS	57,5	37	10	19
8	5/16	A104025-0817	1/2-20 UNF-2A	G3/8-19 A GAS	57,5	37	10	24
10	3/8	A104025-1013	9/16-18 UNF-2A	G1/4-19 A GAS	59,5	39	10	19
10	3/8	A104025-1017	9/16-18 UNF-2A	G3/8-19 A GAS	59,5	39	10	24
10	3/8	A104025-1021	9/16-18 UNF-2A	G1/2-14 A GAS	63	39	12	27
12	1/2	A104025-1213	3/4-16 UNF-2A	G1/4-19 A GAS	68,5	48	10	22
12	1/2	A104025-1217	3/4-16 UNF-2A	G3/8-19 A GAS	68,5	48	10	24
12	1/2	A104025-1221	3/4-16 UNF-2A	G1/2-14 A GAS	72	48	12	27
12	1/2	A104025-1226	3/4-16 UNF-2A	G3/4-14 A GAS	76	48	14	36
14÷16	5/8	A104025-1617	7/8-14 UNF-2A	G3/8-19 A GAS	74	53	10	24
14÷16	5/8	A104025-1621	7/8-14 UNF-2A	G1/2-14 A GAS	77	53	12	27
14÷16	5/8	A104025-1626	7/8-14 UNF-2A	G3/4-14 A GAS	81	53	14	36
18-20	3/4	A104025-2021	1"1/16-12 UN-2A	G1/2-14 A GAS	88	63	12	30
18-20	3/4	A104025-2026	1"1/16-12 UN-2A	G3/4-14 A GAS	91	63	14	36
18-20	3/4	A104025-2033	1"1/16-12 UN-2A	G1"-11 A GAS	93,5	63	15,5	41
22	7/8	A104025-2226	1"3/16-12 UN-2A	G3/4-14 A GAS	96	68	14	36
25	1"	A104025-2526	1"5/16-12 UN-2A	G3/4-14 A GAS	100	72	14	36
25	1"	A104025-2533	1"5/16-12 UN-2A	G1"-11 A GAS	102	72	15,5	41
25	1"	A104025-2542	1"5/16-12 UN-2A	G1"1/4-11 A GAS	106	72	17,5	50
30-32	1"1/4	A104025-3233	1"5/8-12 UN-2A	G1"-11 A GAS	119	88	15,5	42
30-32	1"1/4	A104025-3242	1"5/8-12 UN-2A	G1"1/4-11 A GAS	122	88	17,5	50
38	1"1/2	A104025-3842	1"7/8-12 UN-2A	G1"1/4-11 A GAS	132	98	17,5	50
38	1"1/2	A104025-3848	1"7/8-12 UN-2A	G1"1/2-11 A GAS	136	98	19,5	60

FOR S.P.A. - NORME E DIMENSIONI SOGGETTE A MODIFICHE SENZA PREAVVISO.

FOR S.P.A. - DESIGN DETAILS AND SPECIFICATIONS SUBJECT TO CHANGE WITHOUT PRIOR NOTICE.