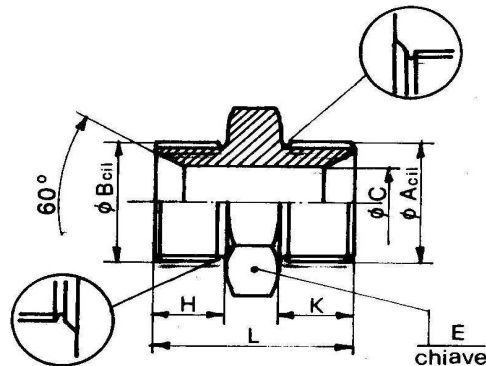


NIPPLES DOPPI/DOUBLE NIPPLES

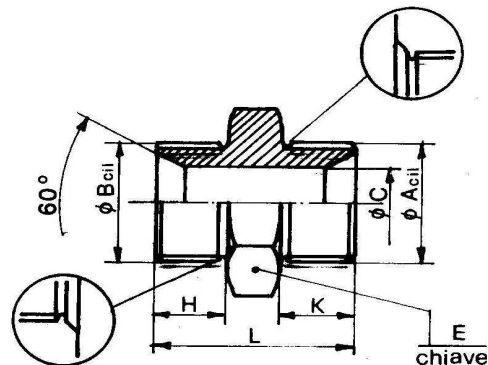


ARTICOLO	A	B	C	E	H	K	L
R11300	1/8 G	1/8 G	4,5	14	8	8	22
R11313	1/4 G	1/4 G	5	19	11	11	32
R11314	3/8 G	3/8 G	9	22	13	13	34
R11315	1/2 G	1/2 G	11	27	14	14	40
R11316	5/8 G	5/8 G	14	32	14	14	37
R11345	3/4 G	3/4 G	16	32	15	15	45
R11317	3/4 G	3/4 G	16	36	15	15	42
R11318	1 G	1 G	20	41	18	18	46
R11319	1 1/4 G	1 1/4 G	30	50	20	20	51
R11320	1 1/2 G	1 1/2 G	36	55	23	23	60
R11352	2 G	2 G	45	70	22	22	56
R11321	1/2 G	3/8 G	9	24	13	14	35
R11344	1/2 G	3/8 G	9	27	15	12	37
R11322	5/8 G	1/2 G	12	27	14	14	37
R11323	3/4 G	3/8 G	9	32	17	11	38
R11324	3/4 G	1/2 G	11	32	15	14	43
R11324/36	3/4 G	1/2 G	12	36	16	14	41
R11325	3/4 G	5/8 G	12	32	18	14	42
R11326	1 G	3/4 G	16	36	15	18	44
R11327	1 1/4 G	1 G	22	50	17	20	49
R11342	1/4 G	1/8 G	4	19	11	9	29
R11343	1/2 G	1/4 G	5	27	14	11	36
R11346	1 G	1/2 G	12	41	19	14	45
R11347	1 G	3/4 G	16	41	18	16	44
R11348	1 G	1 1/4 G	22	46	20	18	49
R11349	1 G	1 1/2 G	22	55	23	18	56
R11350	1 1/4 G	3/4 G	16	46	20	15	47
R11351	1 1/2 G	1 1/4 G	30	55	22	21	56
R11353	3/8 G	1/4 G	5	22	12	11	34
R11361	1/2 G	7/8 G	12	27	14	14	38
R11364	1/4 G	3/4 G	6	32	16	11	39
R11359	1 1/2 G	3/4 G	16	55	20	15	46
R11358	2 G	1 1/2 G	35	70	22	22	58
R11363	2 G	1 1/4 G	30	70	22	20	54

N.B. A richiesta tutti i raccordi del presente catalogo possono essere eseguiti con filetti diversi.

At your request every connections presented in this catalogue can be carried out with different threads.

NIPPLES DOPPI/DOUBLE NIPPLES

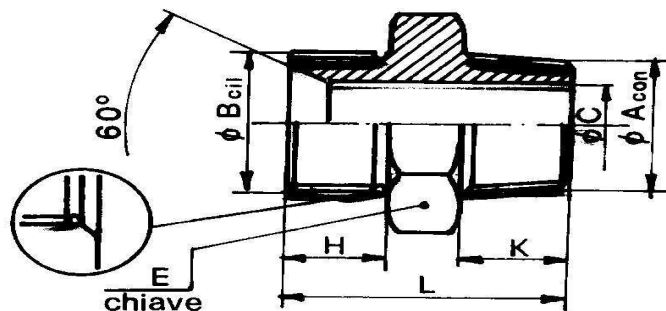


ARTICOLO	A	B	C	E	H	K	L
R11301	14 MB	14 MB	7	19	11	11	28
R11302	16 MB	16 MB	9	22	13	13	34
R11303	18 MB	18 MB	10	24	13	13	36
R11304	20 MB	20 MB	12	27	14	14	37
R11305	22 MB	22 MB	12	27	14	14	37
R11306	18 MB	22 MB	10	27	13	14	36
R11328	18 MB	14 MB	6	24	14	11	34
R11329	18 MB	16 MB	9	24	13	13	34
R11330	18 MB	20 MB	10	27	14	13	38
R11331	22 MB	16 MB	9	27	14	13	36
R11332	22 MB	20 MB	12	27	14	14	37
R11354	16 MB	14 MB	6	22	14	11	32
R11307	14 MB	3/8 G	7	22	13	11	31
R11308	16 MB	3/8 G	9	22	13	13	34
R11309	18 MB	3/8 G	9	24	13	13	34
R11310	18 MB	1/2 G	10	27	13	14	36
R11311	22 MB	1/2 G	12	27	14	14	37
R11312	22 MB	3/4 G	12	32	16	14	40
R11333	14 MB	1/4 G	7	19	11	11	30
R11334	14 MB	1/2 G	6,5	27	15	11	35
R11335	14 MB	3/4 G	6,5	32	15	13	38
R11336	16 MB	1/2 G	9	27	14	13	35
R11337	18 MB	1/4 G	6,5	24	13	11	31
R11338	18 MB	3/4 G	10	32	16	14	40
R11339	20 MB	1/2 G	12	27	14	14	36
R11340	22 MB	3/8 G	9	27	13	14	36
R11341	22 MB	1 G	12,5	41	18	14	42
R11356	26 MB	1/2 G	12,5	32	14	18	43
R11357	26 MB	3/4 G	17	32	17	17	43
R11360	20 MB	3/8 G	8	27	12	14	34
R11362	16 MB	1/4 G	6	22	10	13	30

N.B. A richiesta tutti i raccordi del presente catalogo possono essere eseguiti con filetti diversi.

At your request every connections presented in this catalogue can be carried out with different threads.

NIPPLES DOPPI/DOUBLE NIPPLES



CONICO/CILINDRICO-CONIC/CYLINDRICAL

ARTICOLO	A	B	C	E	H	K	L
R11401	1/4 G	1/4 G	7	17	10	12	32
R11402	3/8 G	3/8 G	9	19	15	12	32
R11403	1/2 G	1/2 G	12	24	19	14	41
R11404	3/4 G	3/4 G	16	27	19	17	46
R11405	1 G	1 G	20	36	20	25	55
R11406	3/4 G	1/2 G	12	27	14	16	41
R11407	3/8 G	1/2 G	8	24	14	15	37
R11408	1/4 G	3/8 G	6,5	17	14	12	34

CONICO/CONICO-CONIC/CONIC

ARTICOLO	A	B	C	E	H	K	L
R11421	3/8 G	3/8 G	9	17	14	14	35
R11423	1/2 G	1/2 G	12,5	24	17	17	46
R11422	3/8 G	1/4 G					
R11424	1/2 G	3/8 G	8,5	24	17	15	41

N.B. A richiesta tutti i raccordi del presente catalogo possono essere eseguiti con filetti diversi.

At your request every connections presented in this catalogue can be carried out with different threads.