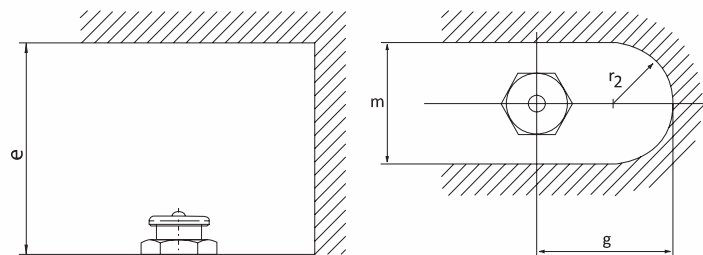
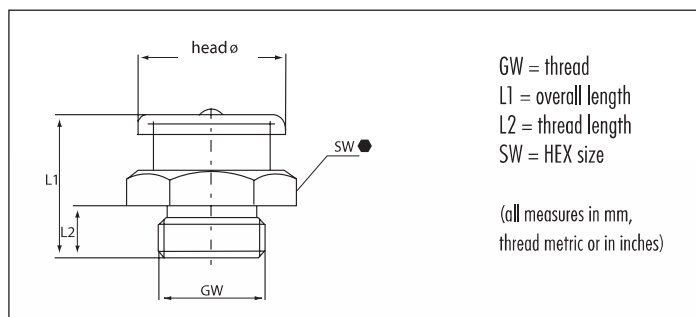


## Type M1



### Button-Head Grease Nipples

- head Ø 16 mm
- according to DIN 3404
- straight version A/180°
- standard versions according to DIN are made of steel, zinc-plated and passivated, with cylindrical thread
- for other types and materials, please see table, or upon request



#### Instructions for installation: necessary space

e =	55 mm/2-11/64"	r =	16 mm/41/64"
m =	32 mm/1-17/64"	g =	35 mm/1-25/64"

GW	M 6 x 1.0	Ref.- No.:	Steel	Brass	SST303	SST316L
L1	L2	SW				
17	6	17mm HEX ●	4101704	4111704	4121704	4141704

GW	M 8 x 1.0	Ref.- No.:	Steel	Brass	SST303	SST316L
L1	L2	SW				
17	6	17mm HEX ●	4101707	4111707	4121707	4141707

GW	M 8 x 1.25	Ref.- No.:	Steel	Brass	SST303	SST316L
L1	L2	SW				
17	6	17mm HEX ●	4101708	4111708	4121708	

GW	M 10 x 1.0	Ref.- No.:	Steel	Brass	SST303	SST316L
L1	L2	SW				
17	6	17mm HEX ●	4101709	4111709	4121709	4141709
20	9	17mm HEX ●	4101713			

GW	M 10 x 1.5	Ref.- No.:	Steel	Brass	SST303	SST316L
L1	L2	SW				
17	6	17mm HEX ●	4101711	4111711	4121711	

GW	M 12 x 1.0	Ref.- No.:	Steel	Brass	SST303	SST316L
L1	L2	SW				
17	6	17mm HEX ●	4101732			

GW	M 12 x 1.5	Ref.- No.:	Steel	Brass	SST303	SST316L
L1	L2	SW				
17	6	17mm HEX ●	4101714	4111714	4121714	

GW	M 12 x 1.75	Ref.- No.:	Steel	Brass	SST303	SST316L
L1	L2	SW				
17	6	17mm HEX ●	4101715		4121715	

GW	M 14 x 1.5	Ref.- No.:	Steel	Brass	SST303	SST316L
L1	L2	SW				
17	6	17mm HEX ●	4101717		4121716	

GW	M 16 x 1.5	Ref.- No.:	Steel	Brass	SST303	SST316L
L1	L2	SW				
18	7	17mm HEX ●	4101719	4111715		

GW	G 1/8, 1/8 - 28 BSPP	Ref.- No.:	Steel	Brass	SST303	SST316L
L1	L2	SW				
17	6	17mm HEX ●	4101761	4111761	4121761	4141761

GW	G 1/4, 1/4 - 19 BSPP	Ref.- No.:	Steel	Brass	SST303	SST316L
L1	L2	SW				
17	6	17mm HEX ●	4101762	4111762	4121762	4141762

GW	G 3/8, 3/8 - 19 BSPP	Ref.- No.:	Steel	Brass	SST303	SST316L
L1	L2	SW				
18	7	17mm HEX ●	4101763	4111763	4121763	4141763

GW	1/4" - 18 NPT/PTF	Ref.- No.:	Steel	Brass	SST303	SST316L
L1	L2	SW				
21	10	17mm HEX ●	4101768			
21.5	11	17mm HEX ●				4141768