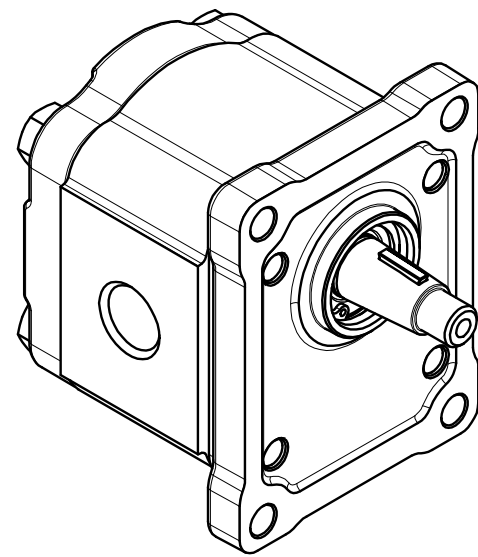
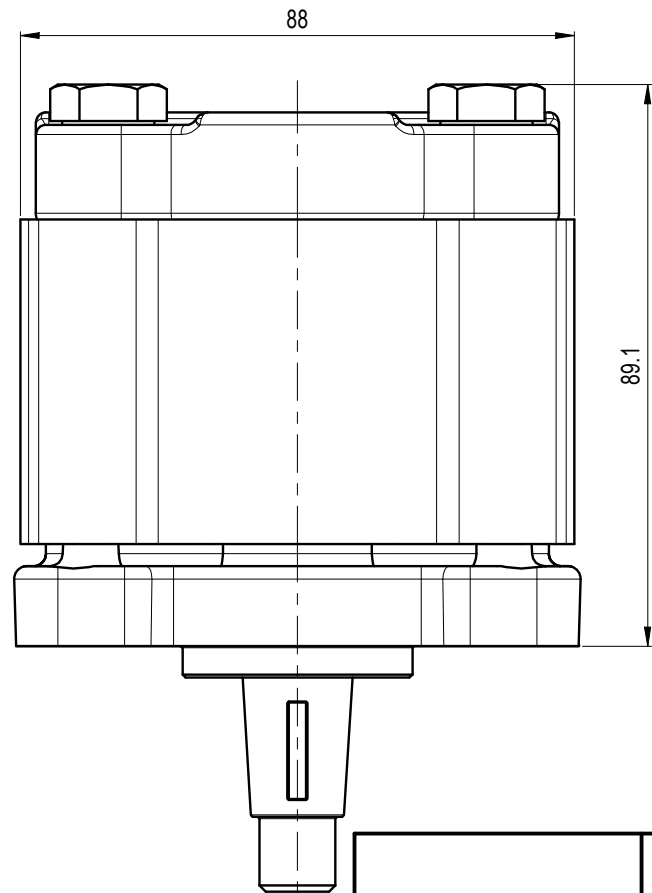
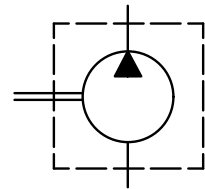


PUMP DATA

Rotation	Clockwise
Displacement	6.5 [cm3/rev]
Max continuous pressure [P1]	260 [bar]
Max intermittent pressure [P2]	290 [bar]
Max peak pressure [P3]	310 [bar]
Min speed P1	600 [r.p.m.]
Max speed P1	4000 [r.p.m.]
Temperature range	-25 to+80 [°C]
Viscosity range	12 to 100 [cSt]
Viscosity in START	1000 [cSt]
Contamination class $\Delta p < 140$ bar	21/19/16 - ISO 4406
Contamination class $140 < \Delta p < 200$ bar	20/18/15 - iso 4406
Contamination class $\Delta p > 200$ bar	19/17/14 - iso 4406

**CLOCKWISE ROTATION**



DESCRIPTION HY-PA2-C06-E20T2-B2/2S-1NS  
 CUSTOMER  
 CUSTOMER'S REF.  
 PRODUCT HY2 Series

Scale	1:1.2	SHEET SIZE	A3
Date	26/11/2025	PDM STATE	Approved
Dwg	V. Rispoli	DRAWING NO.	<b>H2000P022C</b>
Appr.	L. Riccò	Proj.No.	
Sheet 1 of 1		REVISION	00