

SOLENOID OPERATED DIRECTIONAL VALVES SPOOL TYPE - THREE WAY - TWO/THREE POSITION

SYMBOL

SYMBOL

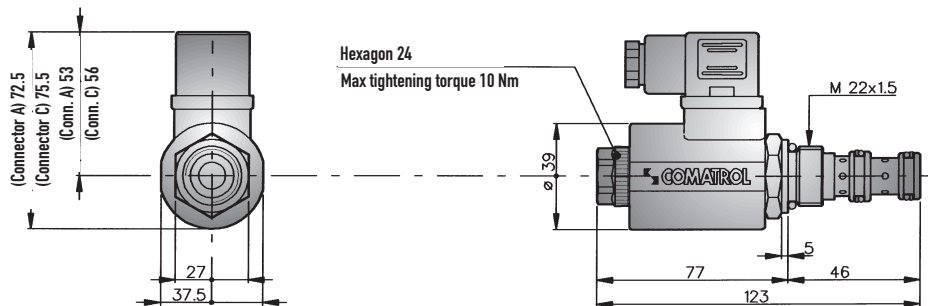
NCS Type EDH 06

SIZE		06	
NOMINAL PORT SIZE		6	
MAX FLOW RATE	l/min	35	
	US gpm	9.2	
MAX PRESSURE	bar	210	
	psi	3000	
CAVITY NUMBER	00.95	056	
NORMALIZED CAVITY	NCS	06/3	
MAX TIGHTENING TORQUE		Nm 50	
WEIGHT INCLUDING COIL	1 SOLENOID	kg	0.420
	2 SOLENOID	kg	0.780
REF			
CAVITY DIMENSIONS		11.450	

VERSIONS

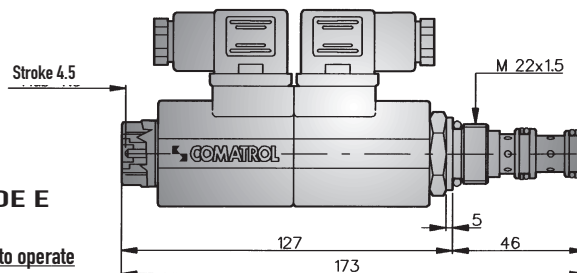
TYPE	HYDRAULIC SYMBOLS	FUNCTIONS OBTAINED WITH SOLENOID			OVERLAP	MAX. FLOW RATE l/min	MAX. PRESSURE bar
		De-energized	S1 Energized	S2 Energized			
32 01		② ↔ ③ ①	① ↔ ② ③		-	35	210
32 04		① ↔ ② ③	① ↔ ③ ②		-	35	210
33 02		① ↔ ② ③	② ↔ ③ ①	① ↔ ② ↔ ③	-	25	210
33 03		① ② ③	② ↔ ③ ①	① ↔ ③ ②	+	35	210

DIMENSIONS (mm)



MANUAL OVERRIDE E

Versions 33 02 - 33 03 only
 plunger type control pushed to operate



CHARACTERISTIC OPERATING CURVES

Measurements effected at 20°C ambient temperature with mineral oil having viscosity of 26 cSt at 50°C.
 Power input to coil: 90% of nominal value; temperature: 50°C. Cartridges only.

PRESSURE DROP

TYPE	① ↔ ②	② ↔ ③	① ↔ ③
01	2	3	
04	3		2
02	1	3	2
03		3	2

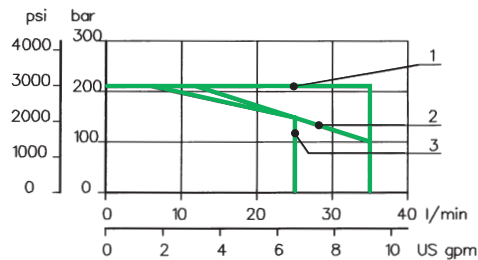
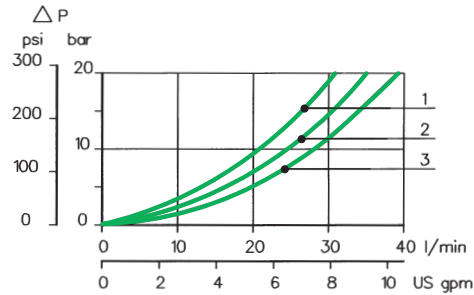
LIMITS OF APPLICATIONS

TYPE	REFERENCE
01	2
04	1
02	3
03	1

MAX PERMISSIBLE PRESSURE THROUGH PORT ① : 180 bar FOR THREE POSITION
 MAX PERMISSIBLE PRESSURE THROUGH PORT ① : 210 bar FOR TWO POSITION

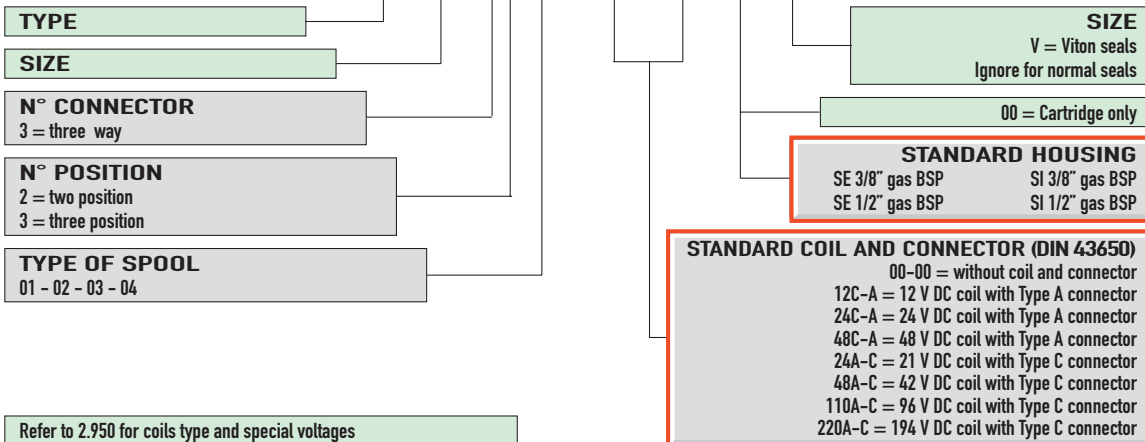
RESPONSE TIME (m. sec)

TYPE	Energized	De-energized
01		
04	25 - 50	40 - 80
02		
03		



EXAMPLE OF ORDER DESIGNATION EDH 06

EDH 06 / 33 02 - 24C - A - 00 - V



SPARE PARTS

Set of standard type external seals with back-up washers (Packs of minimum 10 sets)
 EDH 06/3 = 230.00.007.0