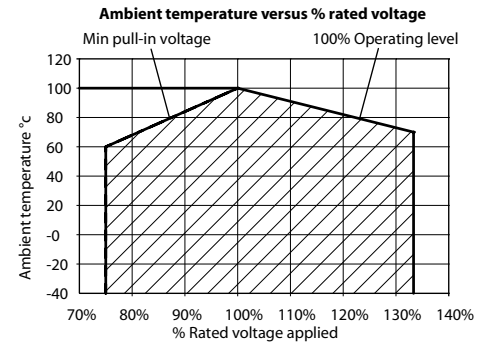


### SPECIFICATIONS

- Duty cycle: 100% at 133% of rated voltage and 70°C [158°F]
- Magnet wire insulation: (200°C)
- Ambient temperature range: -40 to +70 °C [-40 to 158 °F]
- Environmental rating:  
IP69K: AS, DE, FL and M3
- Input voltage range: 75% to 133% of rated voltage
- Optional bi-directional, transient voltage suppression diodes: Non polarity dependent, 51 volt nominal breakdown voltage.
- Weight: 0.22 kg [0.49 lb]



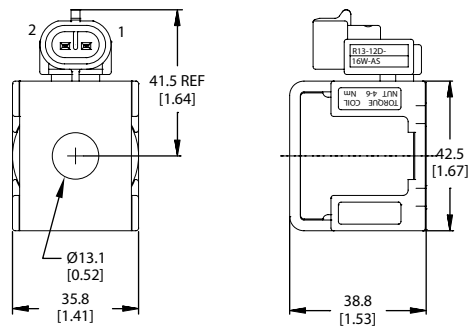
### ELECTRICAL SPECIFICATIONS

16 watt coils

Voltage (V)	10 VDC	12 VDC	20 VDC	24 VDC
Resistance (Ohms) @ 20 °C [68 °F]	6.2	9	25	36
Current draw (A) @ 20 °C [68 °F]	1.62	1.34	0.81	0.67
Color	Green	Gray	Blue	Yellow

### TERMINALS

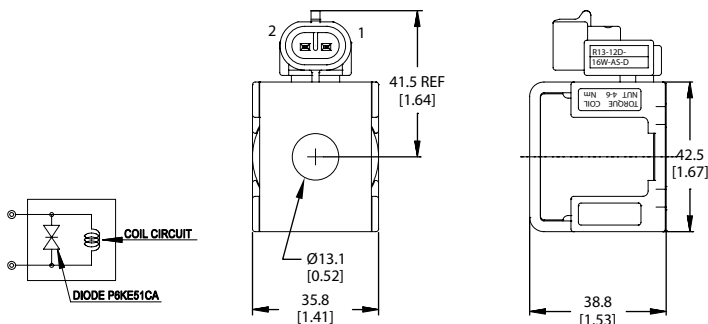
Amp SuperSeal 1.5/MetriPak 150 Type 1 Code AS



Part numbers

Voltage (V)	Power (W)	Part Number
10 VDC	16	R13-10D-16W-AS
12 VDC	16	R13-12D-16W-AS
20 VDC	16	R13-20D-16W-AS
24 VDC	16	R13-24D-16W-AS

Amp SuperSeal 1.5/MetriPak 150 Type 1 w/Diode Bi-Directional

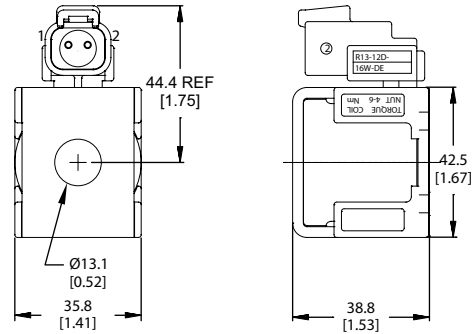


Part numbers

Voltage (V)	Power (W)	Part Number
10 VDC	16	R13-10D-16W-ASDB
12 VDC	16	R13-12D-16W-ASDB
20 VDC	16	R13-20D-16W-ASDB
24 VDC	16	R13-24D-16W-ASDB

### TERMINALS (continued)

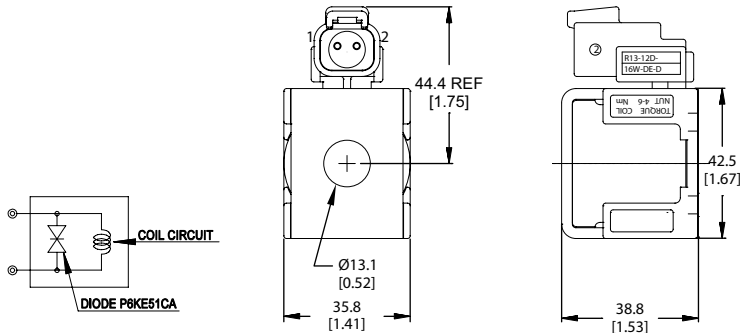
#### Deutsch Code DE



#### Part numbers

Voltage (V)	Power (W)	Part Number
10 VDC	16	R13-10D-16W-DE
12 VDC	16	R13-12D-16W-DE
20 VDC	16	R13-20D-16W-DE
24 VDC	16	R13-24D-16W-DE

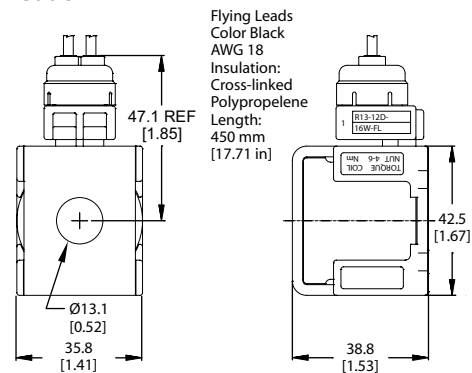
#### Deutsch w/Diode, Bi-Directional Code DEDB



#### Part numbers

Voltage (V)	Power (W)	Part Number
10 VDC	16	R13-10D-16W-DEDB
12 VDC	16	R13-12D-16W-DEDB
20 VDC	16	R13-20D-16W-DEDB
24 VDC	16	R13-24D-16W-DEDB

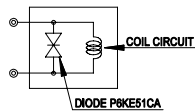
#### Lead wires Code FL



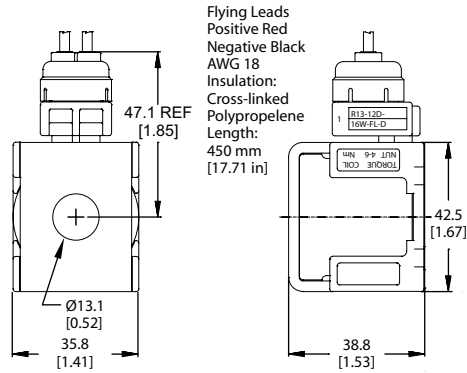
#### Part numbers

Voltage (V)	Power (W)	Part Number
10 VDC	16	R13-10D-16W-FL
12 VDC	16	R13-12D-16W-FL
20 VDC	16	R13-20D-16W-FL
24 VDC	16	R13-24D-16W-FL

### TERMINALS (continued)



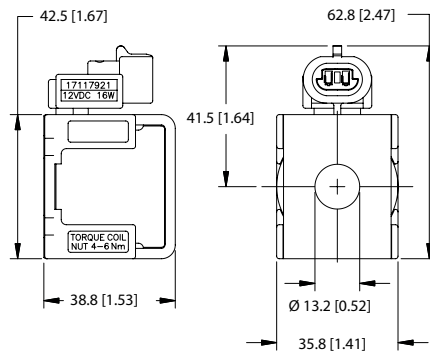
### Lead wires w/Diode, Bi-Directional Code FLDB



### Part numbers

Voltage (V)	Power (W)	Part Number
10 VDC	16	R13-10D-16W-FLDB
12 VDC	16	R13-12D-16W-FLDB
20 VDC	16	R13-20D-16W-FLDB
24 VDC	16	R13-24D-16W-FLDB

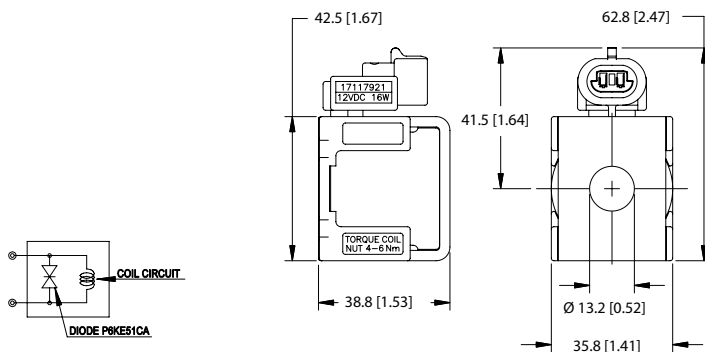
### MetriPak 150, type 2 Code M3



### Part numbers

Voltage (V)	Power (W)	Part Number
10 VDC	16	R13-10D-16W-M3
12 VDC	16	R13-12D-16W-M3
20 VDC	16	R13-20D-16W-M3
24 VDC	16	R13-24D-16W-M3

### MetriPak 150, type 2 w/Diode Bi-Directional Code M3DB



### Part numbers

Voltage (V)	Power (W)	Part Number
10 VDC	16	R13-10D-16W-M3DB
12 VDC	16	R13-12D-16W-M3DB
20 VDC	16	R13-20D-16W-M3DB
24 VDC	16	R13-24D-16W-M3DB