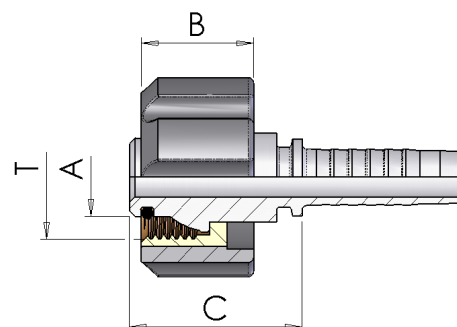


FK50

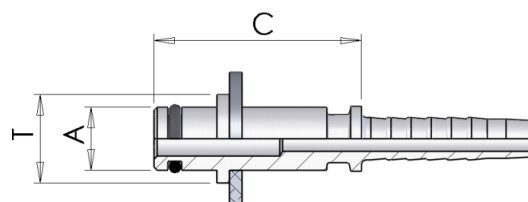
K' Female



Part number	Hose I.D.		Dimensions				
			dash size	Thread T	Cut-Off C	A	B
FK50-04-22	1/4	6.4	04	M22-1.5	31	14	20
FK50-05-22	5/16	7.9	05	M22-1.5	31	14	20
FK50-06-22	3/8	9.5	06	M22-1.5	31	14	20
FK50-04022	1/4	6.4	04	M22-1.5	31	14	27
FK50-05022	5/16	7.9	05	M22-1.5	31	14	27
FK50-06022	3/8	9.5	06	M22-1.5	31	14	27

FN50

'K' Male (for gun) - Diameter 10



Part number	Hose I.D.		Dimensions			
			dash size	Thread T	A	C
FN50-04-22	1/4	6.4	04	M22-1.5	10	33
FN50-05-22	5/16	7.9	05	M22-1.5	10	33
FN50-06-22	3/8	9.5	06	M22-1.5	10	33