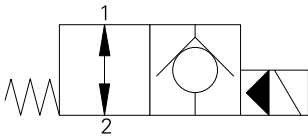


SV3-10-O/OP/OS - Solenoid valve

Poppet type, normally open solenoid valve (free reverse flow)
45 L/min (12 USgpm) • 210 bar (3000 psi)

A



Operation

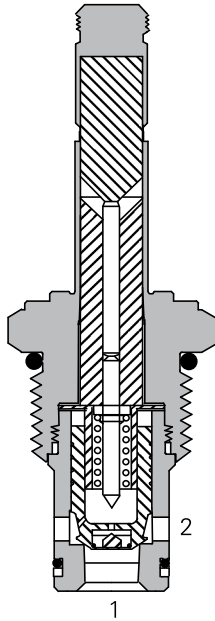
In the de-energized position the valve allows free flow in both directions.

When the solenoid is energized the pilot poppet closes the orifice and the valve closes blocking flow from port 2 to 1 while allowing free flow from port 1 to 2.

Features

Hardened and ground working parts. Lapped seat for low leakage. IP69K Tough coil compatibility. Continuously rated. Compact design with low pressure drop.

Sectional view



Performance data

Ratings and specifications

Performance data is typical with fluid at 21,8 cSt (105 SUS) and 49° C (120° F)

Typical application pressure (all ports)	210 bar (3000 psi)
Cartridge fatigue pressure (infinite life)	210 bar (3000 psi)
Rated flow	45 L/min (12 USgpm)
Internal leakage, port 2 to port 1	less than 5 drops/min max @ 210 bar (3000 psi)
Temperature range	-40° to 120°C (-40° to 248°F)
Coil duty	Continuous from 85% to 110% of nominal voltage
Cavity	C-10-2
Fluids	All general purpose hydraulics fluids such as: MIL-H-5606, SAE 10, SAE 20 etc.
Filtration	Cleanliness code 18/16/13
Housing material (standard)	Aluminum
Weight including coil	0,4 kg (0.87 lbs)
Seal kit	565803 (Buna-N), 566086 (Viton®)

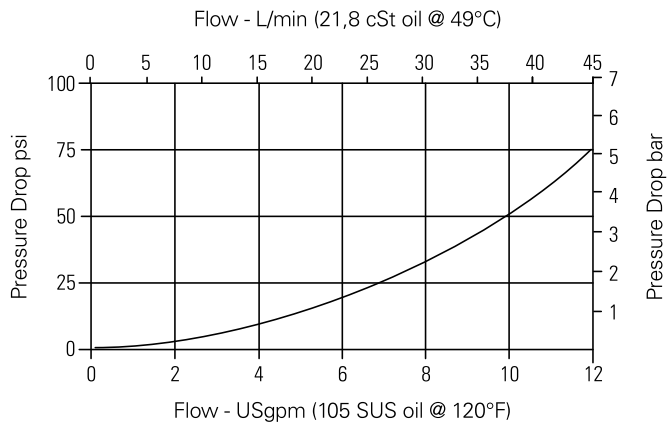
Viton is a registered trademark of E.I. DuPont

Description

This is a 2-way, 2-position, poppet type, pilot operated, normally open solenoid valve. This valve is used in applications requiring low leakage, such as load holding applications or as a general purpose diverter or dump valve.

Pressure drop

Cartridge only



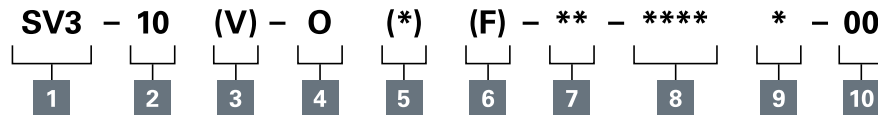
Port 1 to port 2 and port 2 to port 1 de-energized

Where measurements are critical request certified drawings. We reserve the right to change specifications without notice.

SV3-10-O/OP/OS - Solenoid valve

Poppet type, normally open solenoid valve (free reverse flow)
45 L/min (12 USgpm) • 2.10 bar (3000 psi)

Model code



1 Function
SV3 - Solenoid valve

2 Size
10 - 10 size

3 Seal material
Blank - Buna-N
V - Viton®

7 Port size

Code	Port size	Housing number
0	Cartridge only	
3B	3/8" BSPP	02-175462*
6T	SAE 6	566151*
2G	1/4" BSPP	876702
3G	3/8" BSPP	876703
6H	SAE 6	876700
8H	SAE 8	876701

*Light duty housing.
See section J for housing details.

9 Connector types
Blank - No coil
G - ISO 4400 DIN 43650
Q - Spade terminals
W - Flying lead
N - Deutsch (DC only)
Y - Amp JR (DC only)
D - Metripack 150 male (DC only)
J - Metripack 280 male (DC only)

For coil part numbers and dimensions see section C.

4 Style
O - Normally open

5 Manual override option
Blank - No manual override
P - Push type
S - Screw type

For valve dimensions with manual override option installed see page A-980.

8 Voltage rating

00 - No coil	24A - 24VAC
12D - 12VDC	115A - 115VAC
24D - 24VDC	230A - 230VAC
36D - 36VDC	12B - 12VDC/w diode*
	24A - 24VDC/w diode*

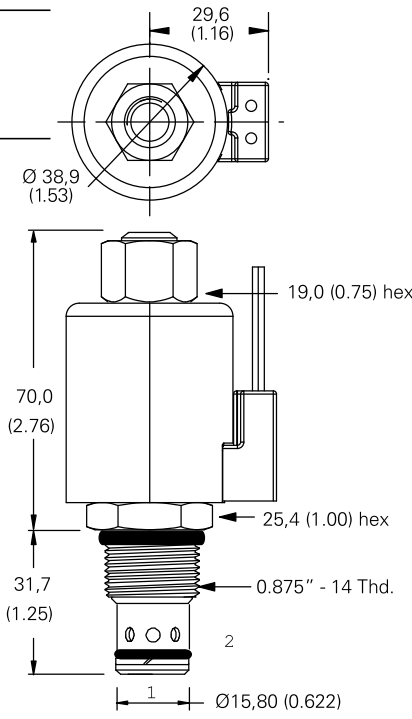
*Optional arc suppression diode.

10 Special features
00 - None
(Only required if valve has special features, omitted if "00".)

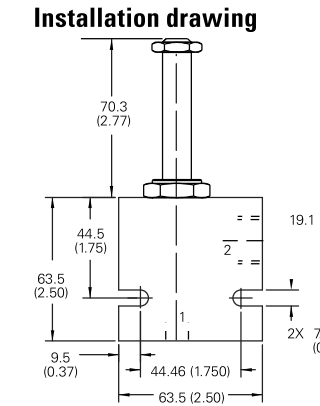
6 Filter option
Blank - None
S - Filter Screen

Dimensions
mm (inch)

Cartridge only



Torque cartridge in aluminum housing 47-54 Nm (35-40 ft lbs)
Note: Use J series, 23 W coils with this solenoid valve.



Note: When solenoid valve is ordered as cartridge only, coil nut is included.

Warning
Maintain 5-8 Nm (4-6 ft lbs) maximum torque on valve tube nut.
Over tightening may cause valve failure.

Where measurements are critical request certified drawings. We reserve the right to change specifications without notice.