



Installation Guide

Joysticks

JS1000/Progrip

11077489

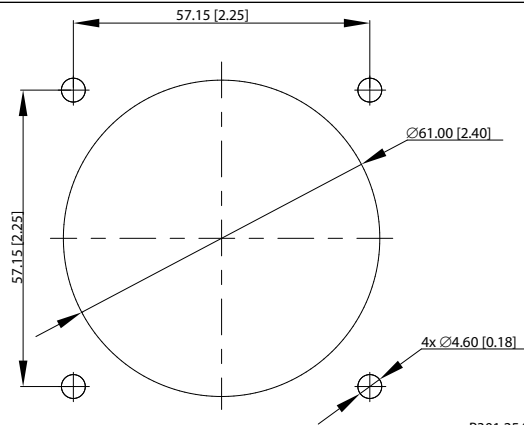
11077489

For Incabin Use Only:



P301 253

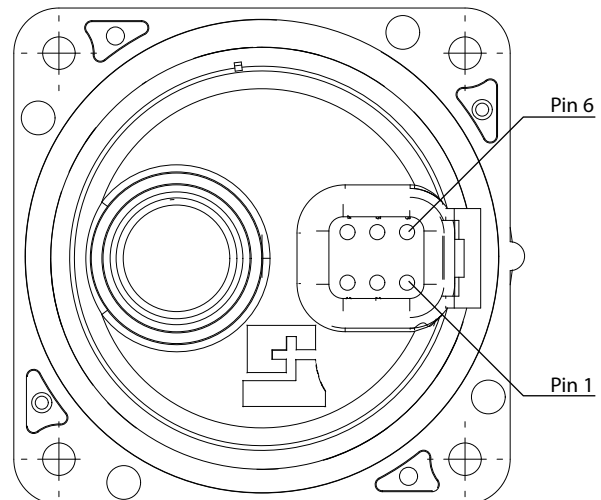
PLUS+1® Compliant



P301 254

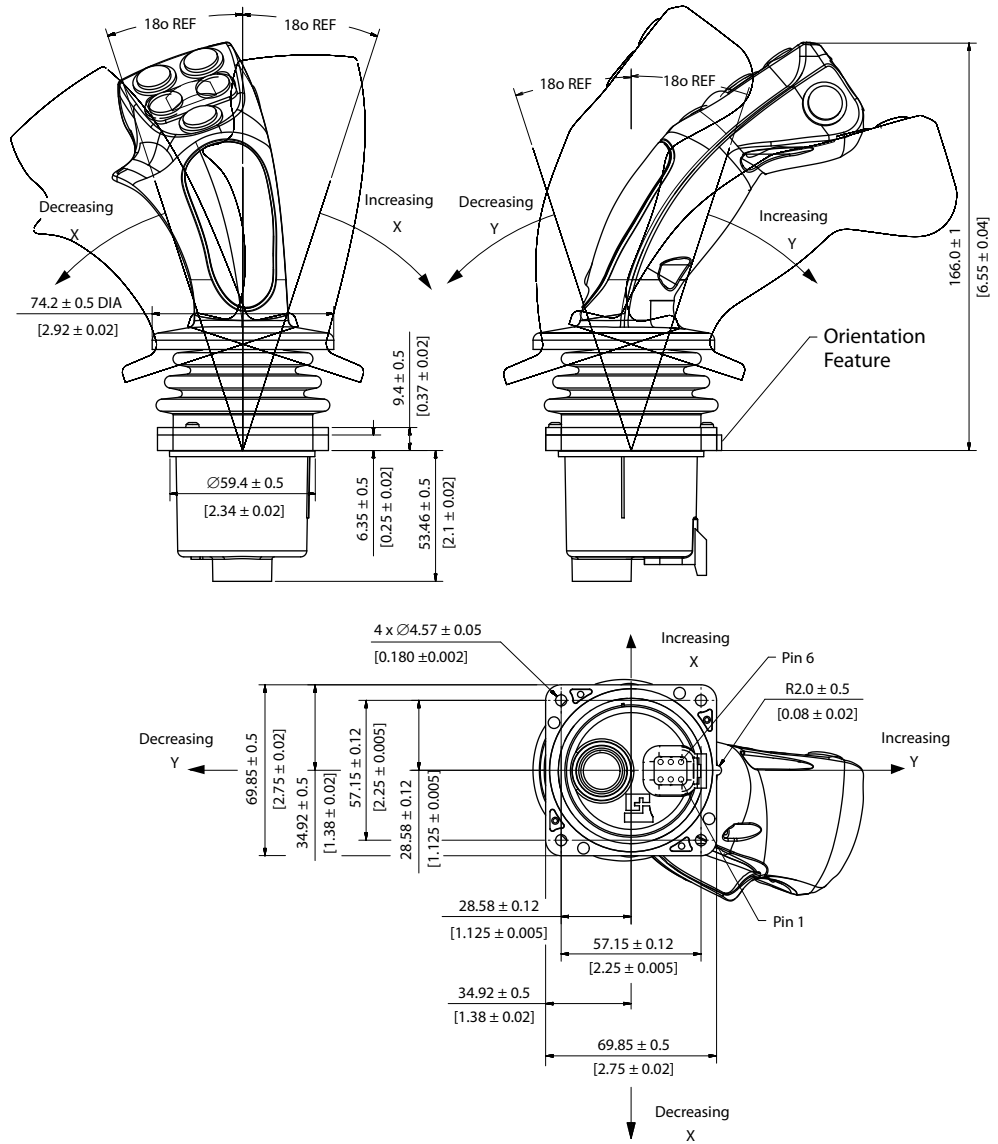
Pinout and Wiring Information:

Pin	CAN option
1	round
2	Power
3	CAN high
4	CAN low
5	CAN shield
6	No Connection



P301 255

Dimensions and Orientation:



P005 244E

Mating Connector Assembly:

Type	Danfoss ordering number
6 pin Deutsch® connector bag assembly	10101551
6 pin connector with 400 mm [15.75 in] leads	10101557