

P/N 236530/30

Manual trolley mounted hose reel s. 530, for hot water, 200 bar without hose. Inlet G 3/8" (f), outlet G 1/2" (f). Hose guide, safety system and rotation lock as standard

SECTORS OF USE

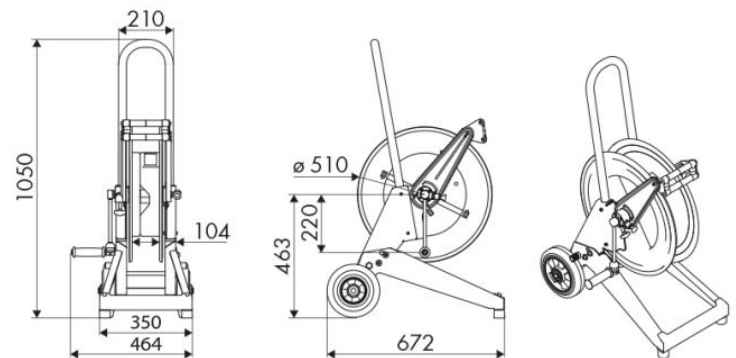
Agriculture, Building and road construction, Industry, Mining, Lube trucks and transports

FEATURES

Pressure	200 bar
Compatible fluids	water max 130 °C
Swivel joint	AISI 304 stainless steel
Seals	Viton®
Characteristic	trolley mounted
Material	painted steel - zinc plated steel
Couplings	-
Hose	-
Ø e hose length	-
Inlet	G 3/8" (f)
Outlet	G 1/2" (f)
Reel flow path	AISI 304 stainless steel - zinc plated steel



OVERALL DIMENSIONS (mm)



FURTHER FEATURES

Capacity 1/4"	Capacity 5/16"	Capacity 3/8"	Capacity 1/2"
90 m	65 m	35 m	25 m