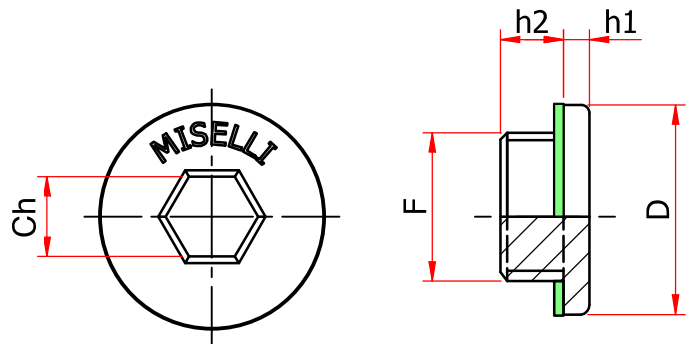


# TCNB - PLASTIC PLUGS WITH INTERNAL HEX HEAD



plastic closing plugs

- Socket style low profile threaded plugs.
- Made from reinforced thermoplastic material PA 66 material with 30% fiberglass providing an excellent mechanical resistance at both low and high temperatures.
- Max operating temperature **100°C/212°F** (continuous working), **120°C/248°F** for short periods.
- Fiber gasket (optional flat NBR seal or O-Ring available on request).

- Tightening torque recommended see the above table (column Nm).
- Special execution in Polyamide reinforced with 50% fiberglass** suggested to be used on industrial application where high resistance to deformation and to mechanical shocks are requested. Max operating temperature **120°C/248°F** (continuous working), **150°/302°F** for short periods.

Code	F	Ch	D	h1	h2	Nm	Nm 50% FV
TCNB/14	G 1/4"	6	18	3	8	3÷5	5÷7
TCNB/38	G 3/8"	8	22.5	3.5	10.5	6÷8	8÷10
TCNB/12	G 1/2"	10	28	4	10	8÷10	10÷12
TCNB/34	G 3/4"	12	35	4	10.5	10÷12	18÷20
TCNB/14.15	M 14x1.5	6	20	2.5	9	3÷5	5÷7
TCNB/16.15	M 16x1.5	8	22.5	3.5	10.5	6÷8	8÷10
TCNB/18.15	M 18x1.5	10	26	3	10	7÷9	10÷12
TCNB/20.15	M 20x1.5	10	28	3.5	10.5	7÷9	10÷12
TCNB/22.15	M 22x1.5	10	28	3.5	10.5	7÷9	10÷12
TCNB/26.15	M 26x1.5	12	35	3	11.5	10÷12	18÷20