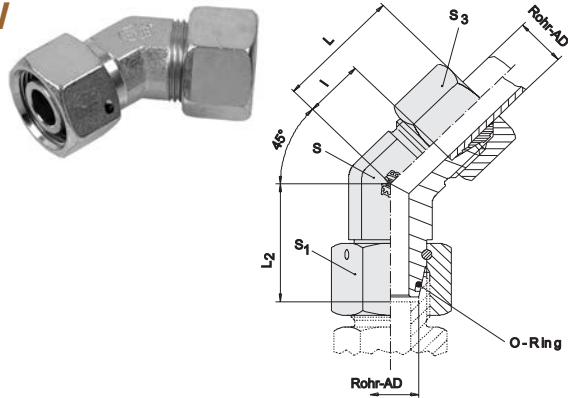


COUPLINGS ADJUSTABLE COUPLING

THE WORLD OF TUBE FITTINGS

BFDKO ADJUSTABLE 45° ELBOW

O-ring NBR (e.g. Perbunan), FPM (e.g. Viton)
upon request.



description	pipe OD	PN series	L ₂	L	I	S	S ₁	S ₂	S ₃	kg % pc	O-Ring
DS-BFDKO 6-L	6	L 500	26.0	24	9	14	17	14	14	4.3	4.5x1.5
DS-BFDKO 8-L	8	L 500	27.5	27	12	14	17	17	17	5.7	6.5x1.5
DS-BFDKO 10-L	10	L 500	29.0	27	12	19	19	19	19	7.3	8x1.5
DS-BFDKO 12-L	12	L 400	29.5	28	14	19	22	22	22	10.0	10x1.5
DS-BFDKO 15-L	15	L 400	32.5	32	17	22	27	27	27	16.8	12x2
DS-BFDKO 18-L	18	L 400	35.5	33	17	27	32	32	32	24.1	15x2
DS-BFDKO 22-L	22	L 250	38.5	35	19	30	36	36	36	33.0	20x2
DS-BFDKO 28-L	28	L 250	41.5	40	23	36	41	41	41	49.3	26x2
DS-BFDKO 35-L	35	L 250	51.0	48	27	50	50	50	50	69.0	32x2.5
DS-BFDKO 42-L	42	L 250	56.0	49	26	50	60	60	60	108.1	38x2.5
DS-BFDKO 6-S	6	S 800	27.0	24	9	14	17	17	17	6.4	4.5x1.5
DS-BFDKO 8-S	8	S 800	27.5	27	12	19	19	19	19	8.4	6.5x1.5
DS-BFDKO 10-S	10	S 800	30.0	29	13	19	22	22	22	11.5	8x1.5
DS-BFDKO 12-S	12	S 630	31.0	33	17	19	24	24	24	14.2	10x1.5
DS-BFDKO 16-S	16	S 630	36.5	34	16	19	30	30	30	26.0	13x2
DS-BFDKO 20-S	20	S 400	44.5	38	16	27	36	36	36	40.6	16.3x2.4
DS-BFDKO 25-S	25	S 400	50.0	43	19	36	46	46	46	74.7	20.3x2.4
DS-BFDKO 30-S	30	S 400	55.0	50	24	50	50	50	50	95.7	25.3x2.4
DS-BFDKO 38-S	38	S 400	63.0	52	21	50	60	60	60	142.9	33.3x2.4

Please see "Engineering and technical data - Selecting the correct tube fitting" for more information on pressure.