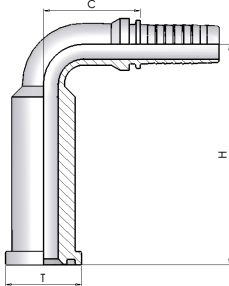


# FS3L

## 90° SAE Flange 3000 Psi - Long Drop

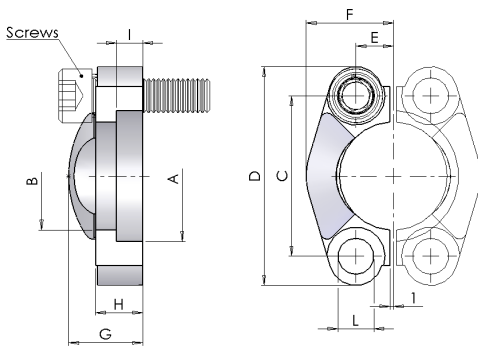


Part number	Hose I.D.		Dimensions				
	in	mm	Dash size	Flange		Drop	Cut-Off
				T	mm	H	C
FS3L-08-08	1/2	12.7	08	1/2	30.2	73	39
FS3L-12-12	3/4	19	12	3/8	38.1	123	56
FS3L-16-16	1	25.4	16	1	44.5	127	70
FS3L-20-20	1.1/4	31.8	20	1.1/4	50.8	178	85
FS3L-24-24	1.1/2	38.1	24	1.1/2	60.3	220	99

# S003

## Cut Split Flanges 3000 psi

This product is sold in pairs



Part number	SAE Size	Dimensions									
		Hex E	A	B	C	D	F	G	H	I	L
S003-08	1/2"	8.7	30.96	24.3	38.1	54	22.8	19	13	6.2	8.8
S003-12	3/4"	11.1	38.89	32.1	47.6	65	25.9	22	14	6.2	10.8
S003-16	1"	13.1	45.24	38.5	52.4	70	29.2	24	16	7.5	10.8
S003-20	1.1/4"	15.1	51.59	43.7	58.7	79	36.3	22	14	7.5	12
S003-24	1.1/2"	17.9	61.09	50.8	69.9	94	41.1	25	16	7.5	13.5
S003-32	2"	21.4	72.24	62.7	77.8	102	48.2	26	16	9	13.5
S003-40	2.1/2"	25.4	84.94	74.9	88.9	114	54.1	38	19	9	13.5
S003-48	3"	31	102.4	90.9	106.4	135	65.3	41	22	9	17