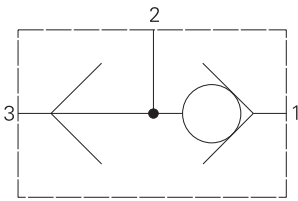


ISH10 - Shuttle valve

Ball type

20 L/min (5 USgpm) 350 bar (5000 psi)



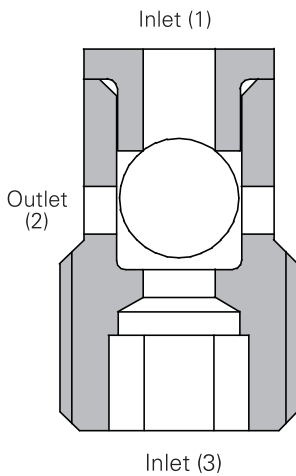
Operation

When a higher pressure is sensed at inlet 1 than at inlet 2 the ball within the cartridge is forced against a seat opening the higher pressure to outlet. When the higher pressure appears at inlet 2 the ball is forced against the other seat which blocks inlet 1 and opens up inlet 2 to outlet.

Features

Cartridge design enabling speedy servicing when mounted in a body or in a composite manifold.

Sectional view



Performance data

Ratings and specifications

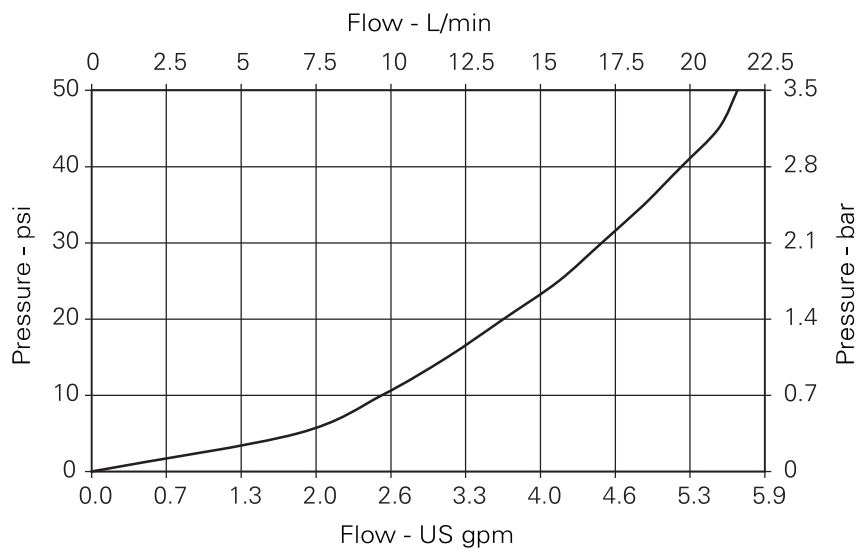
Figures based on: Oil Temp = 40°C Viscosity = 32 cSt (150 SUS)

Rated flow	20 L/min (5 USgpm)
Max Pressure	350 bar (5000 psi)
Cartridge Material	Working parts hardened and ground steel. External steel surfaces zinc plated
Mounting position	Unrestricted
Cavity Number	A16927 (See Section M)
Torque Cartridge into Cavity	8-10 Nm (Use Loc-Tite 542)
Weight	0.05 kg (0.11 lbs)
Recommended Filtration level	BS5540/4 Class 18/13 (25 micron nominal)
Operating Temp	-30°C to +90°C (-22° to +194°F)
Leakage	0.6 milliliters/min max
Nominal Viscosity Range	5 to 500 cSt

Description

This valve provides a means of sensing the higher pressures between two lines on a hydraulic circuit allowing this line to be used for an auxiliary function such as the removal of a mechanically applied brake, the operation of a gauge or to give a remote pressure sensing line for the control of a separate valve.

Pressure drop



Where measurements are critical request certified drawings. We reserve the right to change specifications without notice.

1SH10 - Shuttle valve

Ball type
20 L/min (5 USgpm) 350 bar (5000 psi)

Model code

1SH10

1

1 Basic code

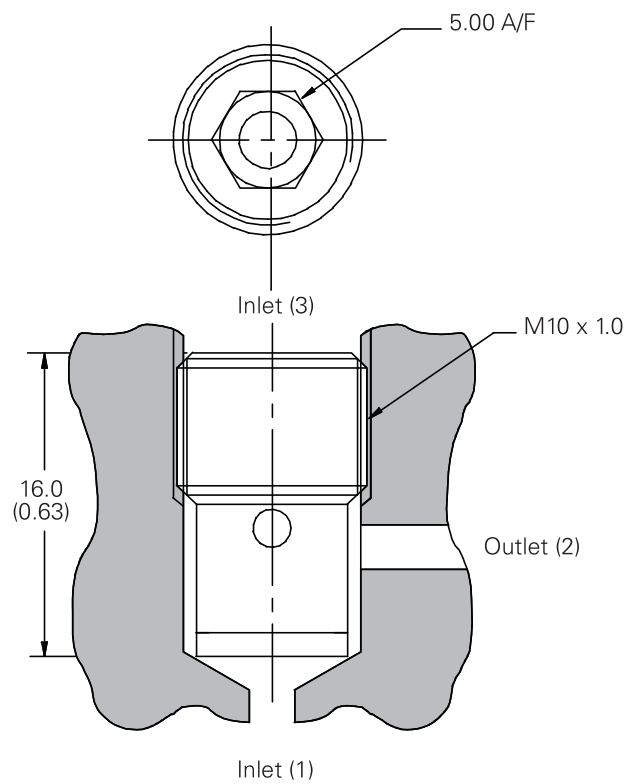
1SH10 - Cartridge Only

Dimensions

mm (inch)

Cartridge only

Basic code
1SH10



Note: Using LOC-TITE 542, torque cartridge to 8-10 Nm against the bottom of the cavity.

Where measurements are critical request certified drawings. We reserve the right to change specifications without notice.