

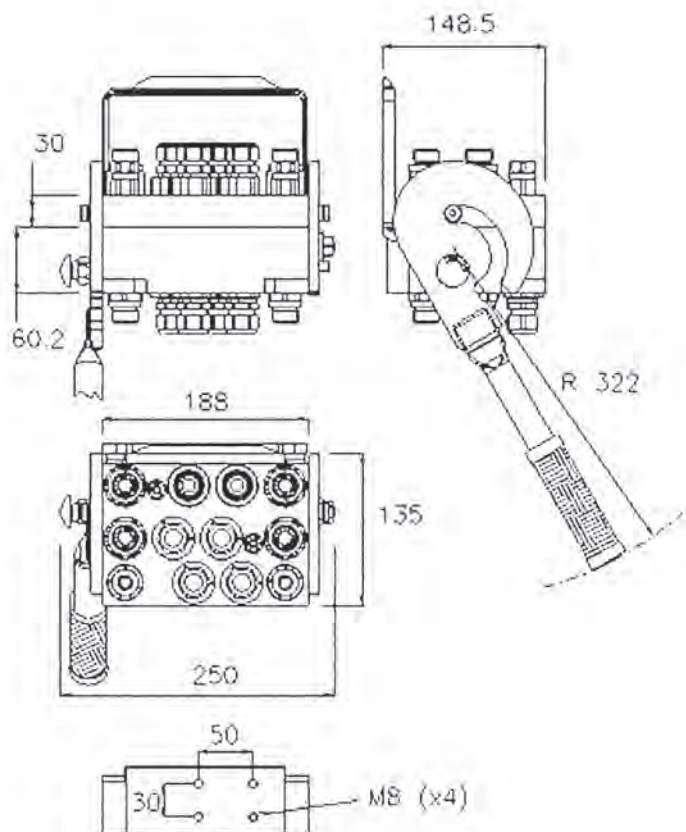


MF P12A

MultiFaster 12 lines.

10 lines size 08, 2 lines size 04.

Applications



Technical Specifications

dash	Size		Working Pressure (MPa)	Flow Rate (l/min)	Spillage (ml)	Burst pressure (MPa)		
	mm	inch				Male	Female	Male + Female
04	6.3	1/4"	25	20	0.008	100	100	100
08	12.5	1/2"	25	70	0.01	100	100	100

Material	Aluminium; Stainless Steel; Steel
Seals	NBR; PUR
Working temperatures	- 25 °C to + 100 °C
Surface treatment	MATE 500 (CrIII); Paint

Valve Type	Flat
Connection	Lever
Disconnection	Lever
Connection Under Pressure	Allowed Residual



P12A

Size					Thread Type					FIXED
dash	mm	inch	Housing	Number of Couplings	Thread Type	Standard	Thread	Electrical N	Connector Type	Part Number
08	12.5	1/2"	12	10	F BSPP	ISO 1179-1	BSPP 1/2" FEMALE			2P12A-10-C F C*
08	12.5	1/2"	12	10	F BSPP	ISO 1179-1	BSPP 1/2" FEMALE			2P12A-10-A F C
04	6.3	1/4"	12	2	O/ SAE	ISO 11926-1	7/16"-20 UNF FEMALE ORB			2P12A-0-12-B FC
08	12.5	1/2"		10	O/ SAE	ISO 11926-1	3/4"-16 UNF FEMALE ORB			

*MultiFaster in Stainless Steel (AISI 316).

Size					Thread Type					MOBILE
dash	mm	inch	Housing	Number of Couplings	Thread Type	Standard	Thread	Electrical N	Connector Type	Part Number
08	12.5	1/2"	12	10	F BSPP	ISO 1179-1	BSPP 1/2" FEMALE			2P12A-10-C M C*
04	6.3	1/4"	12	2	O/ SAE	ISO 11926-1	7/16"-20 UNF FEMALE ORB			3P12A-0-12-B MC
08	12.5	1/2"		10	O/ SAE	ISO 11926-1	3/4"-16 UNF FEMALE ORB			
08	12.5	1/2"	12	10	F BSPP	ISO 1179-1	BSPP 1/2" FEMALE			2P12A-10-A M C

* MultiFaster in Stainless Steel (AISI 316).

Spare Parts & Accessories

Female Half				Male Half					
Plates	Lever	Dust cover	Safety Lock	Plates	Seals male	Screws	Plugs	Guiding pins	Docking
		KIT TA P8	KIT SP5 S		SK MF 14	KIT VP8	KIT TSP 38 M	KIT GP4	
					SK MF 12				

