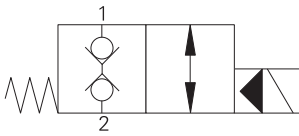


SBV11-8-C/CM - Solenoid Bi-directional valve

Bi-directional, normally closed solenoid valve
60 L/min (15 USgpm) • 350 bar (5000 psi)

A



Operation

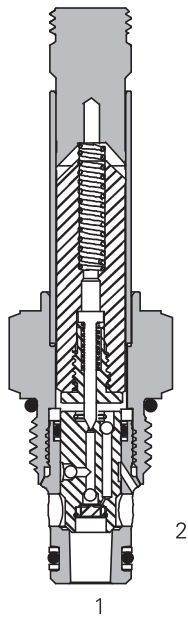
In the de-energized position the valve is blocked in both directions. When the solenoid is energized the pilot poppet is released from the seat allowing the main poppet to open.

A series of internal check valves allows full flow in both directions.

Features

Hardened and ground working parts. Lapped seat for low leakage. IP69K Tough coil compatibility. Continuously rated. Compact design with low pressure drop. 350 bar working pressure.

Sectional view



Performance data

Ratings and specifications

Performance data is typical with fluid at 21,8 cSt (105 SUS) and 49°C (120°F)

Typical application pressure (all ports)	350 bar (5000 psi)
Cartridge fatigue pressure (infinite life)	310 bar (4500 psi)
Rated flow	60 L/min (15 USgpm)
Internal leakage, port 1 to port 2 & port 2 to port 1	5 drops/min, max @ 350 bar (5000 psi)
Temperature range	-40° to 100°C (-40° to 212°F)
Coil duty	Continuous from 85% to 110% of nominal voltage
Cavity	C-8-2
Fluids	All general purpose hydraulic fluids such as: MIL-H-5606, SAE 10, SAE 20 etc.
Filtration	Cleanliness code 18/16/13
Housing material (standard)	Aluminum or steel
Weight cartridge only	0,12 kg (0.26 lbs)
Seal kit	02-160777 (Buna-N), 02-160778 (Viton®)

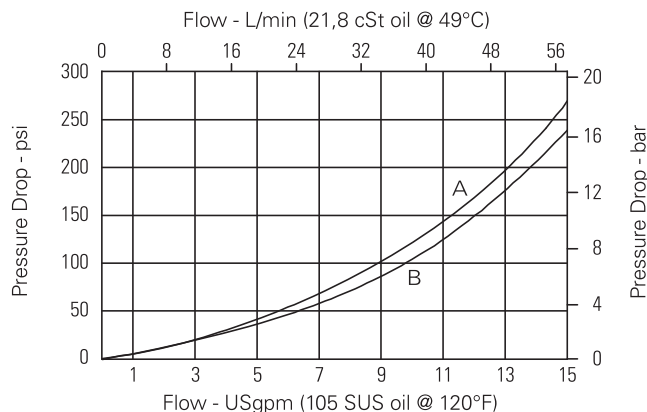
Viton is a registered trademark of E.I. DuPont

Description

This is a 2-way 2-position, high pressure bi-directional, pilot operated, normally closed poppet type screw in cartridge valve. The valve is ideal for isolating and holding actuators in position.

Pressure drop

Cartridge only



A - Port 1 to port 2

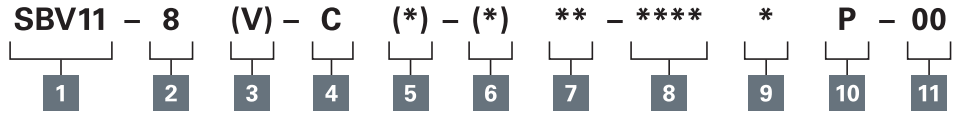
B - Port 2 to port 1

Where measurements are critical request certified drawings. We reserve the right to change specifications without notice.

SBV11-8-C/CM - Solenoid Bi-directional valve

Bi-directional, normally closed solenoid valve
60 L/min (15 USgpm) • 350 bar (5000 psi)

Model code



- 1 Function**
SBV11 - Solenoid valve

- 2 Size**
8 - 8 size

- 3 Seal material**
Blank - Buna-N
V - Viton*

- 4 Style**
C - Normally closed

- 5 Manual override option**
Blank - No manual override
M - Manual override
For valve dimensions with manual override option installed see page A-980.

- 6 Valve housing material**
Blank - Cartridge only
A - Aluminum
S - Steel

7 Port size

Code	Port size	Housing number	
		Aluminium	Steel
0	Cartridge only		
2G	1/4" BSPP	02-160727	02-160733
3G	3/8" BSPP	02-160728	02-160734
4T	SAE 4	02-160730	02-160736
6T	SAE 6	02-160731	02-160737
8T	SAE 8	02-160732	02-160738

See section J for housing details.

8 Voltage rating

00 - No coil	24A - 24VAC
12D - 12VDC	115A - 115VAC
24D - 24VDC	230A - 230VAC
36D - 36VDC	12B - 12VDC/w diode*
	24B - 24VDC/w diode*

*Optional arc suppression diode.

- 9 Connector types**
Blank - No coil
G - ISO 4400 DIN 43650
Q - Spade terminals
W - Flying lead
N - Deutsch (DC only)
Y - Amp JR (DC only)
D - Metripack 150 male (DC only)
J - Metripack 280 male (DC only)

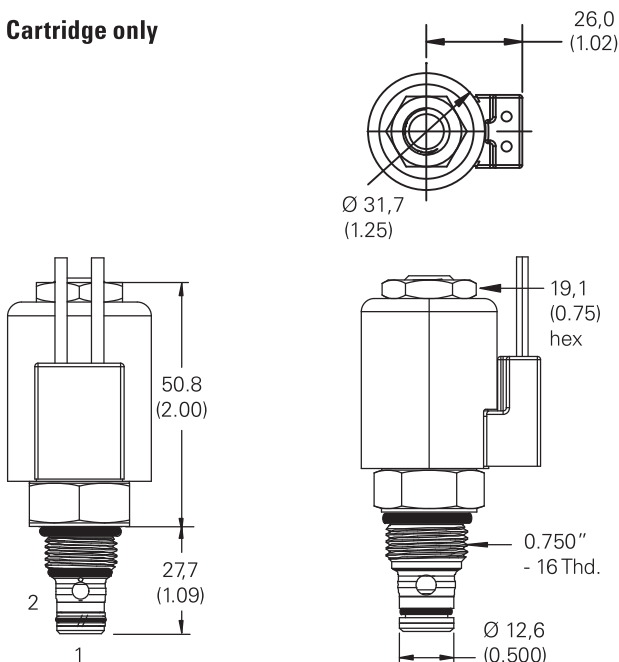
- 10 Coil series**
P - 8 series, 23 W
For coil part numbers and dimensions see section C.

- 11 Special features**
00 - None
(Only required if valve has special features omitted if "00.")

Dimensions

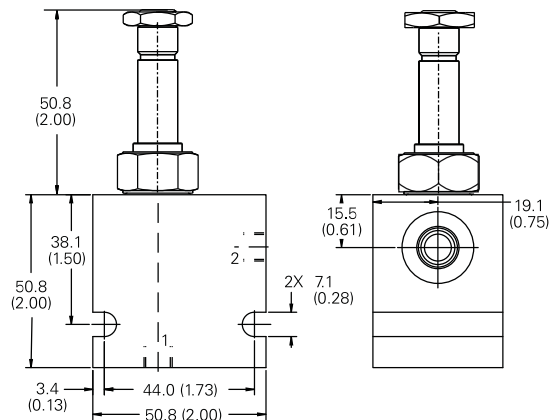
mm (inch)

Cartridge only



Torque cartridge in aluminum or steel housing 34-41 Nm (25-30 ft lbs)

Installation drawing (Steel)



Note: When solenoid valve is ordered as cartridge only, coil nut is included.

Warning
Maintain 5-8 Nm (4-6 ft lbs) maximum torque on valve tube nut. Over tightening may cause valve failure.

Warning
Aluminum housings can be used for pressures up to 210 bar (3000 psi). Steel housings must be used for operating pressures above 210 bar (3000 psi).

Where measurements are critical request certified drawings. We reserve the right to change specifications without notice.